

ZONE	REV	SCR NUMBER	DESCRIPTION	BY	DATE	APPROVED
ALL	A	AASY-823Q3N.VER01	NEW RELEASE	HCL-MH	02/17/2010	D.SMITH

9 5 1 - 6 X 0 J - X X X

XCede BACKPLANE MODULE MALE STANDARD LOAD

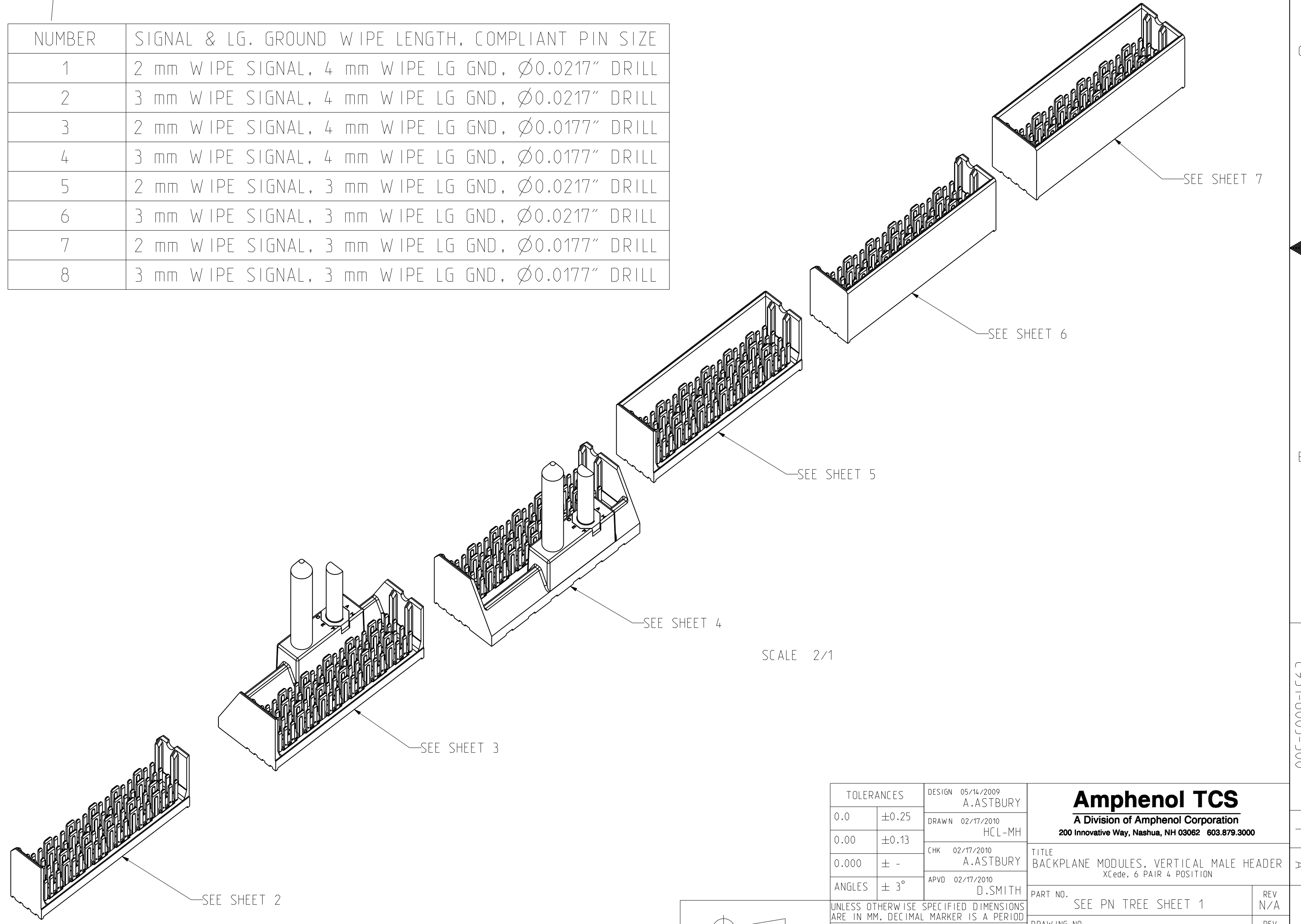
6 PAIR 4-POSITION

LETTER	PLATING
B	30 MICROINCH GOLD
C	50 MICROINCH GOLD
D	30 MICROINCH GOLD, LEADFREE
E	50 MICROINCH GOLD, LEADFREE

NUMBER	PIN STYLE, HEIGHT
0	GUIDE PIN MACHINED, 31.6mm / NONE
1	GUIDE PIN ROLLED, 31.6mm

NUMBER	SIGNAL & LG. GROUND WIPE LENGTH, COMPLIANT PIN SIZE
1	2 mm WIPE SIGNAL, 4 mm WIPE LG GND, Ø0.0217" DRILL
2	3 mm WIPE SIGNAL, 4 mm WIPE LG GND, Ø0.0217" DRILL
3	2 mm WIPE SIGNAL, 4 mm WIPE LG GND, Ø0.0177" DRILL
4	3 mm WIPE SIGNAL, 4 mm WIPE LG GND, Ø0.0177" DRILL
5	2 mm WIPE SIGNAL, 3 mm WIPE LG GND, Ø0.0217" DRILL
6	3 mm WIPE SIGNAL, 3 mm WIPE LG GND, Ø0.0217" DRILL
7	2 mm WIPE SIGNAL, 3 mm WIPE LG GND, Ø0.0177" DRILL
8	3 mm WIPE SIGNAL, 3 mm WIPE LG GND, Ø0.0177" DRILL

	LETTER									
LEFT POLARIZING GUIDANCE (SEE SHEET 3)	N	J (NO KEY)	A	B	C	D	E	F	G	H
	NO KEY NO GUIDE PIN									
RIGHT POLARIZING GUIDANCE (SEE SHEET 4)	Z	Y (NO KEY)	P	Q	R	S	T	U	V	W
	NO KEY NO GUIDE PIN									
OPEN (SEE SHEET 2)	O (ZERO)									
LEFT WALL (SEE SHEET 5)	L									
RIGHT WALL (SEE SHEET 6)	M									
TWO WALL (SEE SHEET 7)	1									



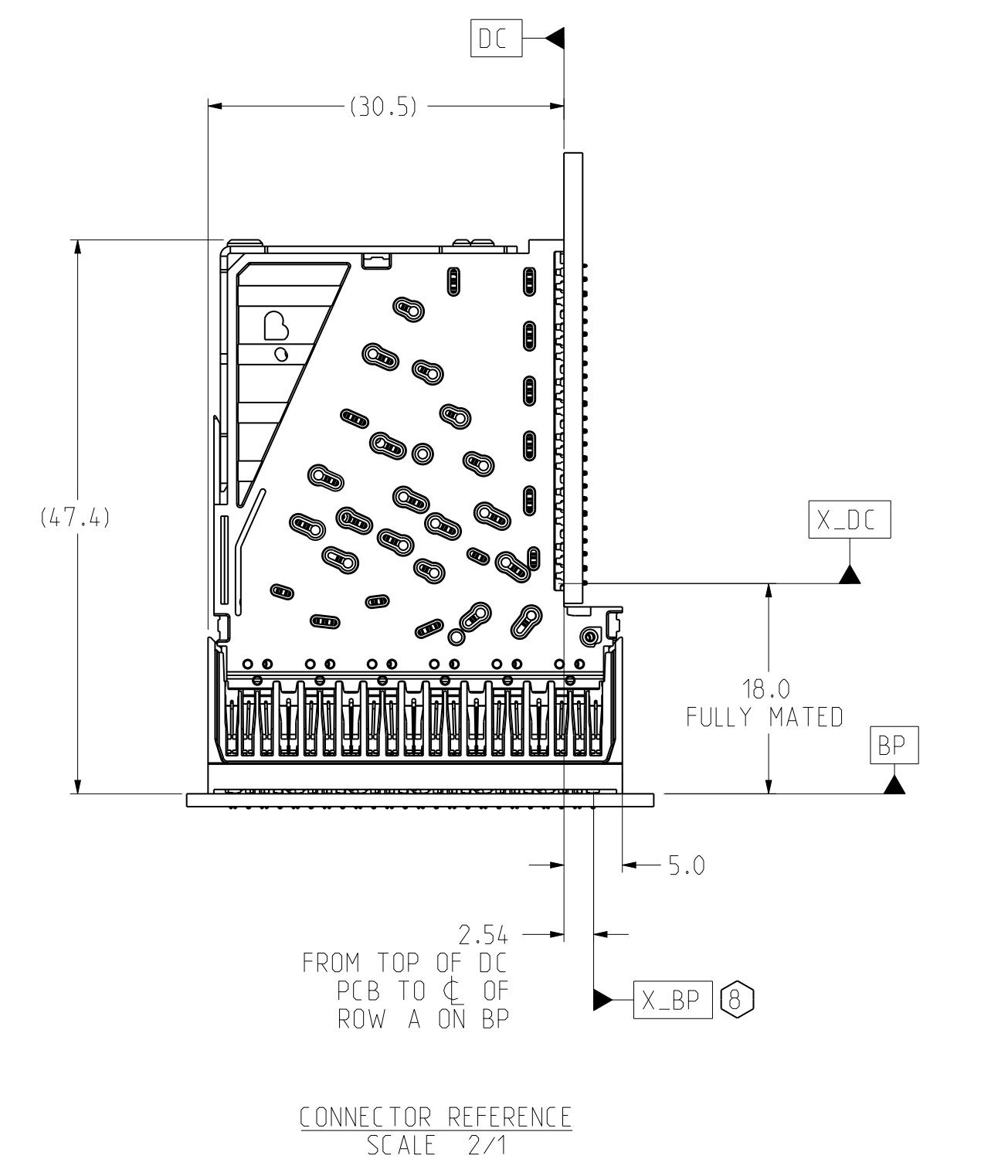
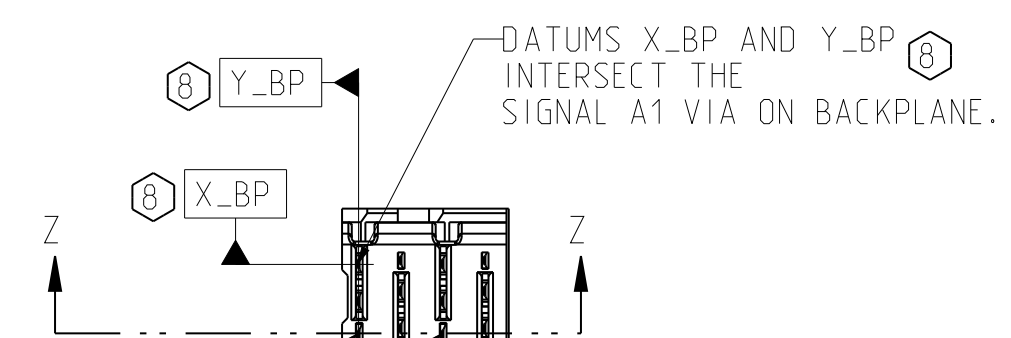
SCALE 2/1

- NOTES:
- REFER TO TB-2150 FOR XCede PRODUCT SPECIFICATIONS.
 - NOTCH DESIGNATES "ROW A" SIDE OF SHROUD. NOTCH FEATURE ON OPPOSITE SIDE FROM PART MARKING.
 - PART MARKING AS FOLLOWS:
 LINE 1: "ATCS" AND DATECODE (ATCS YYWW).
 LINE 2: MODULE PART NUMBER (951-####-###).
 LINE 3: WORK ORDER NUMBER (#####).
 WHERE "*" DENOTES MANUFACTURING LOCATION.
 - PLATING THICKNESS OF SIGNAL CONTACT AND GROUND CONTACT IS DETERMINED BY PLATING CODE. SEE PART NUMBER TREE SHEET 1.
 - REPAIR PROCEDURE FOR MODULE. SEE TB-2210.
 - SEE TB-2149 FOR ROUTING GUIDELINES & PTH REQ'S.
 - SEE DOC C190-1001-000 FOR TOOLING KEEPOUT ZONES.
 - BACKPLANE DATUM REFERENCE.
 - OPTIONAL HOLE/MOUNTING SCREW LOCATION FOR GROUNDED PIN OR ADDITIONAL GUIDE PIN SUPPORT. REFER TO TB-2211 FOR PROPER GUIDE PIN SELECTION AND DRAWING C942-4010-000 FOR OPTIONAL HOLE DETAILS. ONLY APPLIES FOR MACHINED GUIDE PIN APPLICATIONS.
 - DIMENSIONS APPLY FOR BOTH COMPLIANT PIN SIZES.

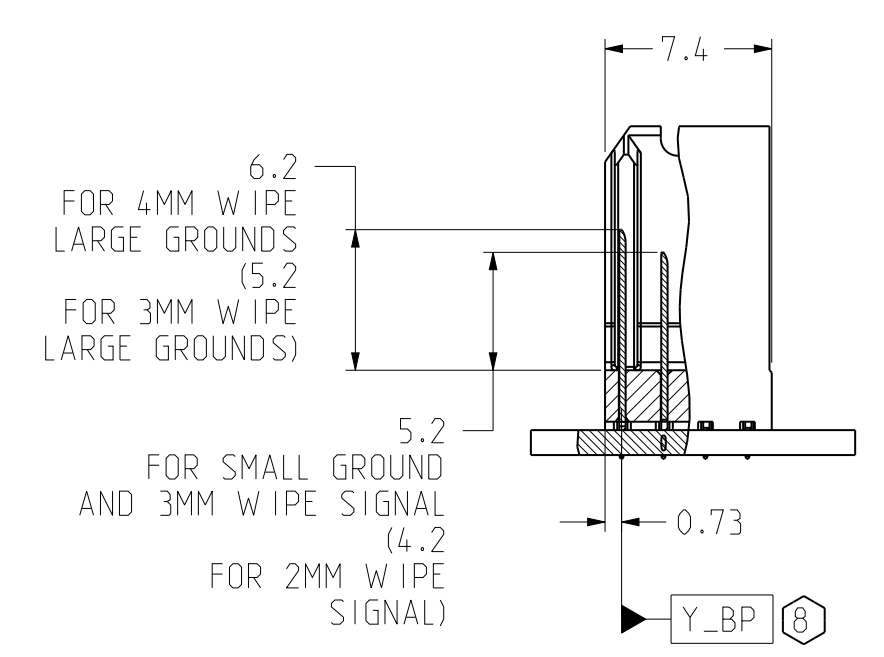
TOLERANCES		DESIGN 05/14/2009 A.ASTBURY	Amphenol TCS A Division of Amphenol Corporation 200 Innovative Way, Nashua, NH 03062 603.879.3000
0.0	±0.25	DRAWN 02/17/2010 HCL-MH	
0.00	±0.13	CHK 02/17/2010 A.ASTBURY	
0.000	± -	APVD 02/17/2010 D.SMITH	
ANGLES ± 3°		TITLE BACKPLANE MODULES, VERTICAL MALE HEADER XCede, 6 PAIR 4 POSITION	
UNLESS OTHERWISE SPECIFIED DIMENSIONS ARE IN MM. DECIMAL MARKER IS A PERIOD		PART NO. SEE PN TREE SHEET 1 REV N/A	
INTERPRET PER ASME Y14.5M CODE IDENT 31413		DRAWING NO. C951-600J-500 REV A	
CUSTOMER USE DRAWING		Pro/E Type: C951-6--BP-4WAF Pro/E DRAWING: C951-600J-500 1.0 A.O	
SIZE D	SCALE 2/1	SHEET 1 OF 8	

DRW NO. C951-600J-500

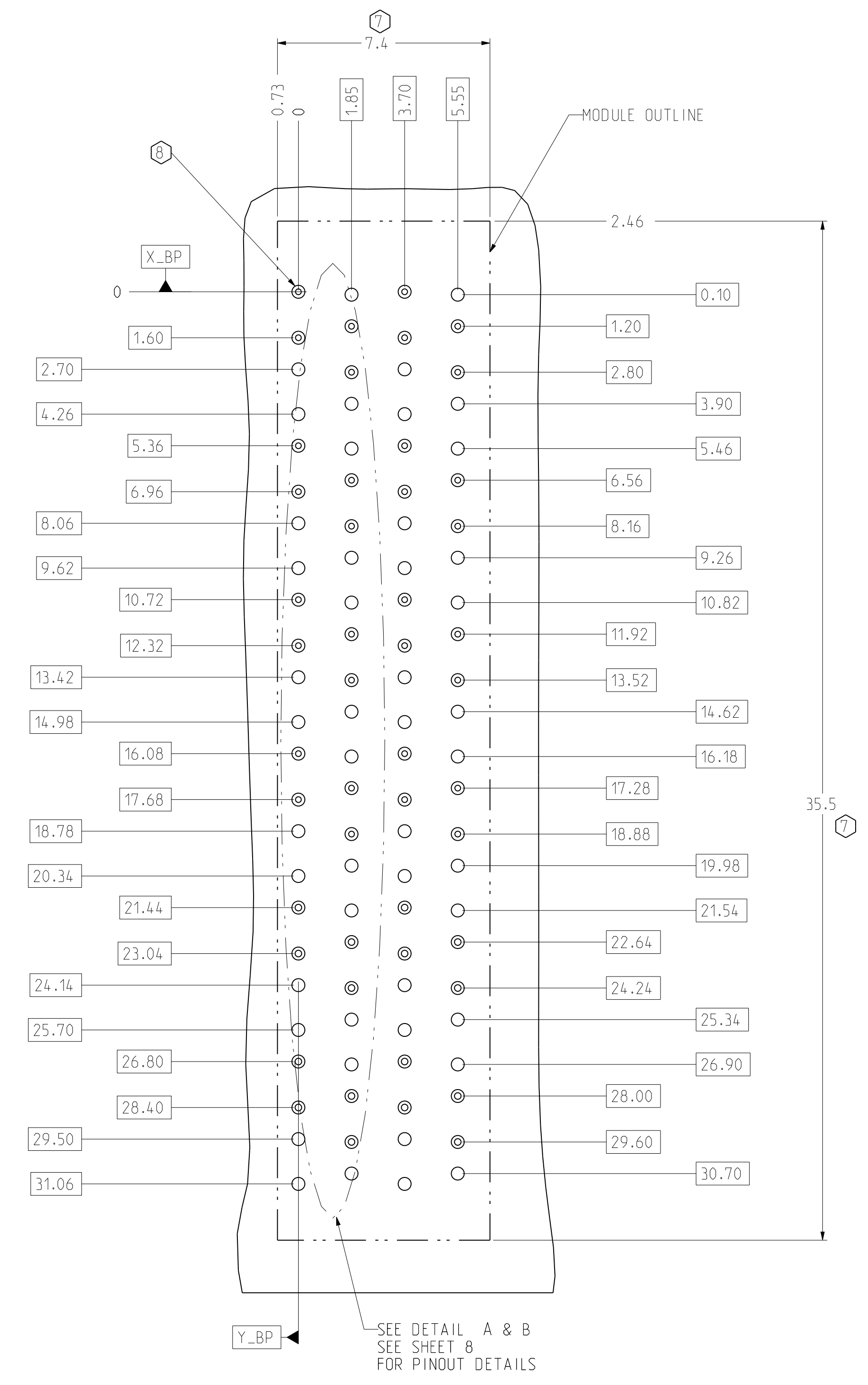
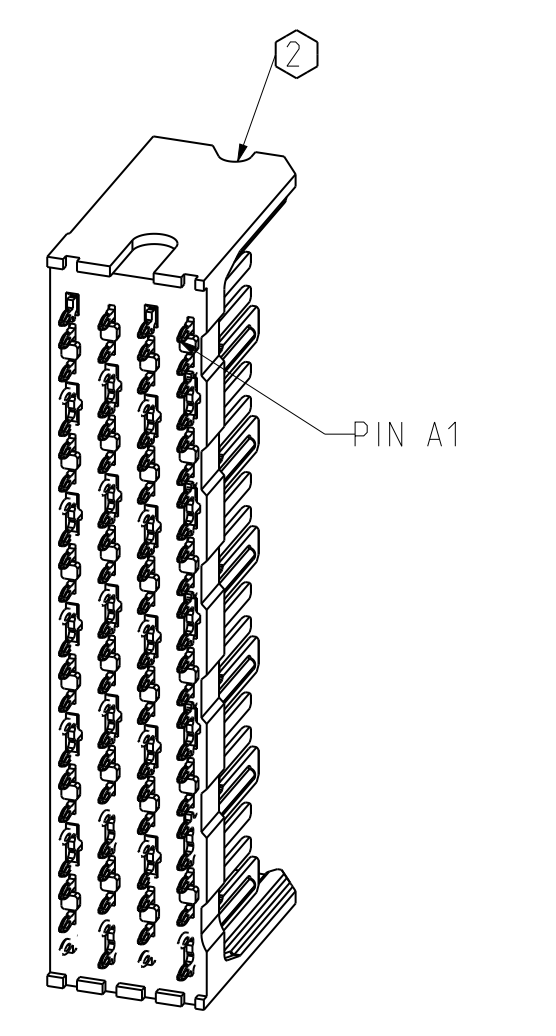
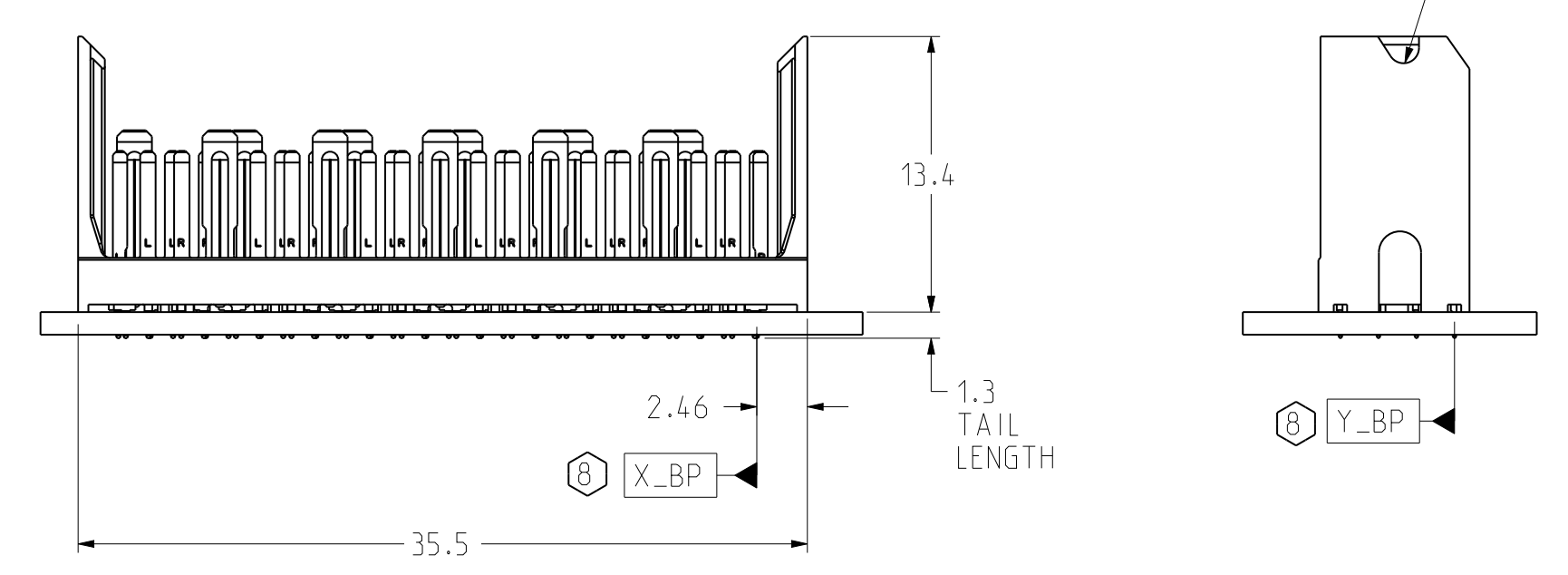
SH 1 REV A



OPEN BACKPLANE MODULE DIMENSION



SECTION Z-Z



BP HOLE PATTERN COMPONENT SIDE SCALE 8/1

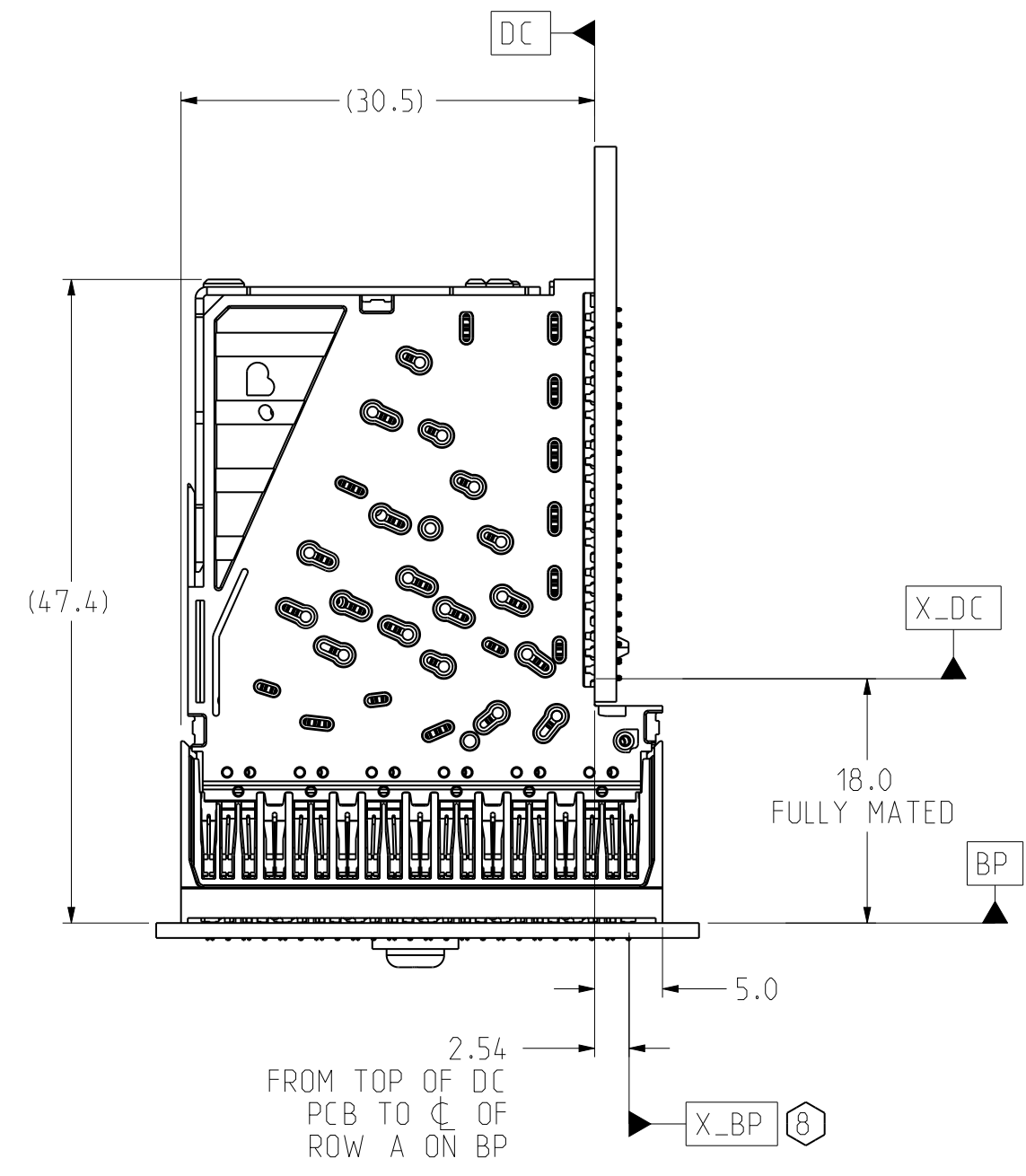
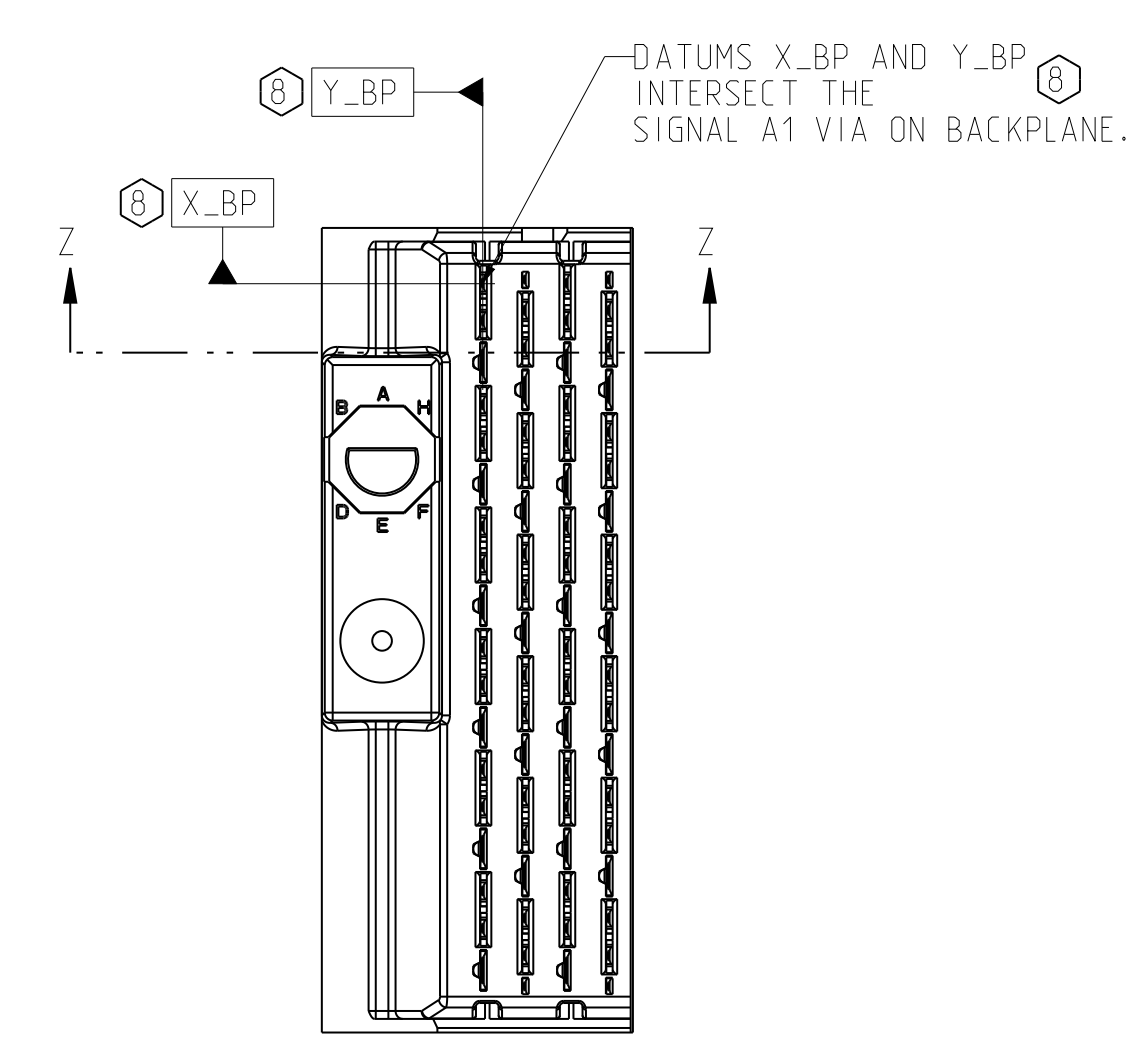
OPEN BACKPLANE FOOTPRINT

TOLERANCES	DESIGN 05/14/2009 A.ASTBURY	Amphenol TCS A Division of Amphenol Corporation 200 Innovative Way, Nashua, NH 03062 603.879.3000	
0.0 ±0.25	DRAWN 02/17/2010 HCL-MH	TITLE	BACKPLANE MODULES, VERTICAL MALE HEADER XCede, 6 PAIR & POSITION
0.00 ±0.13	CHK 02/17/2010 A.ASTBURY	PART NO.	SEE PN TREE SHEET 1
0.000 ± -	APVD 02/17/2010 D.SMITH	DRAWING NO.	C951-600J-500
ANGLES ± 3°		UNLESS OTHERWISE SPECIFIED DIMENSIONS ARE IN MM. DECIMAL MARKER IS A PERIOD	REV N/A
INTERPRET PER ASME Y14.5M CODE IDENT 31413		CUSTOMER USE DRAWING	REV A
SIZE D	SCALE 3/1	SHEET 2 OF 8	1.0 A.0

DRW NO. C951-600J-500

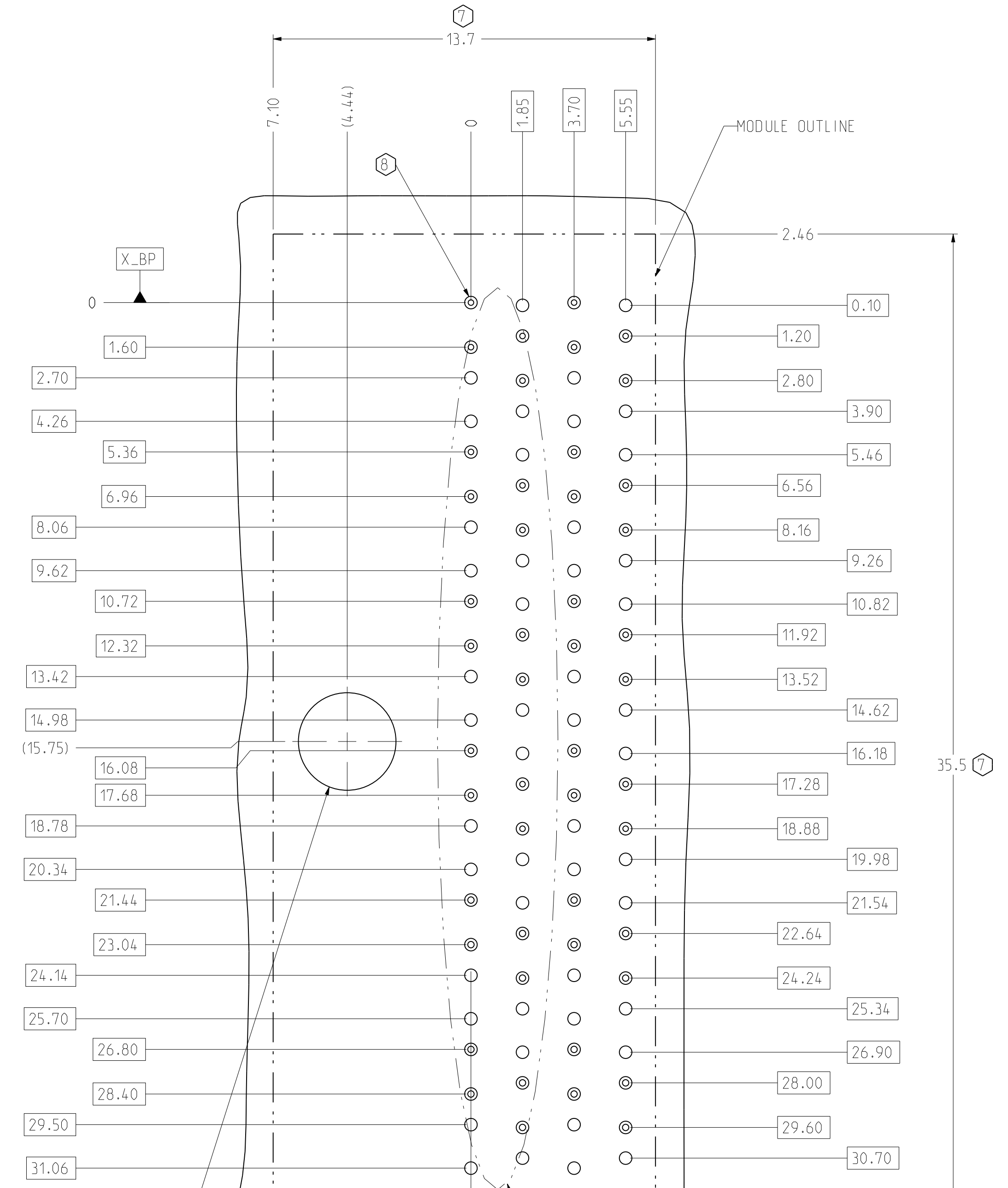
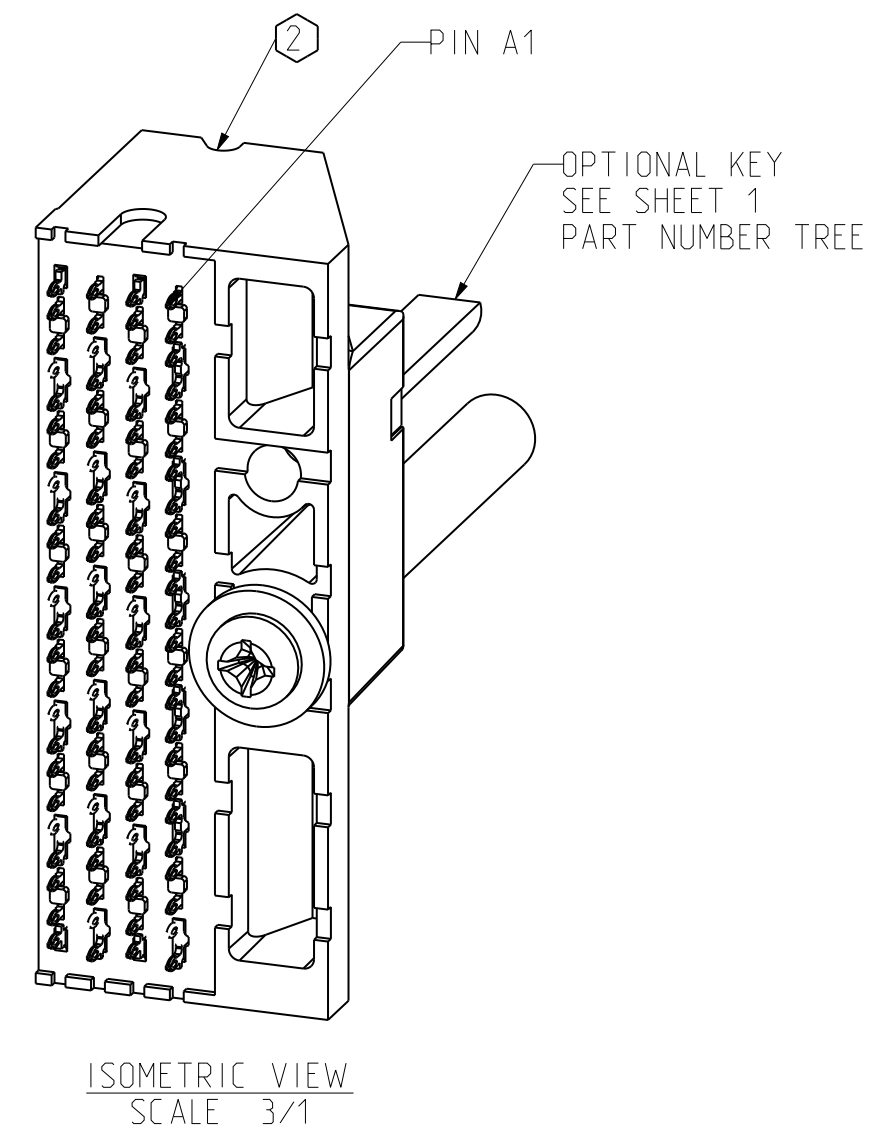
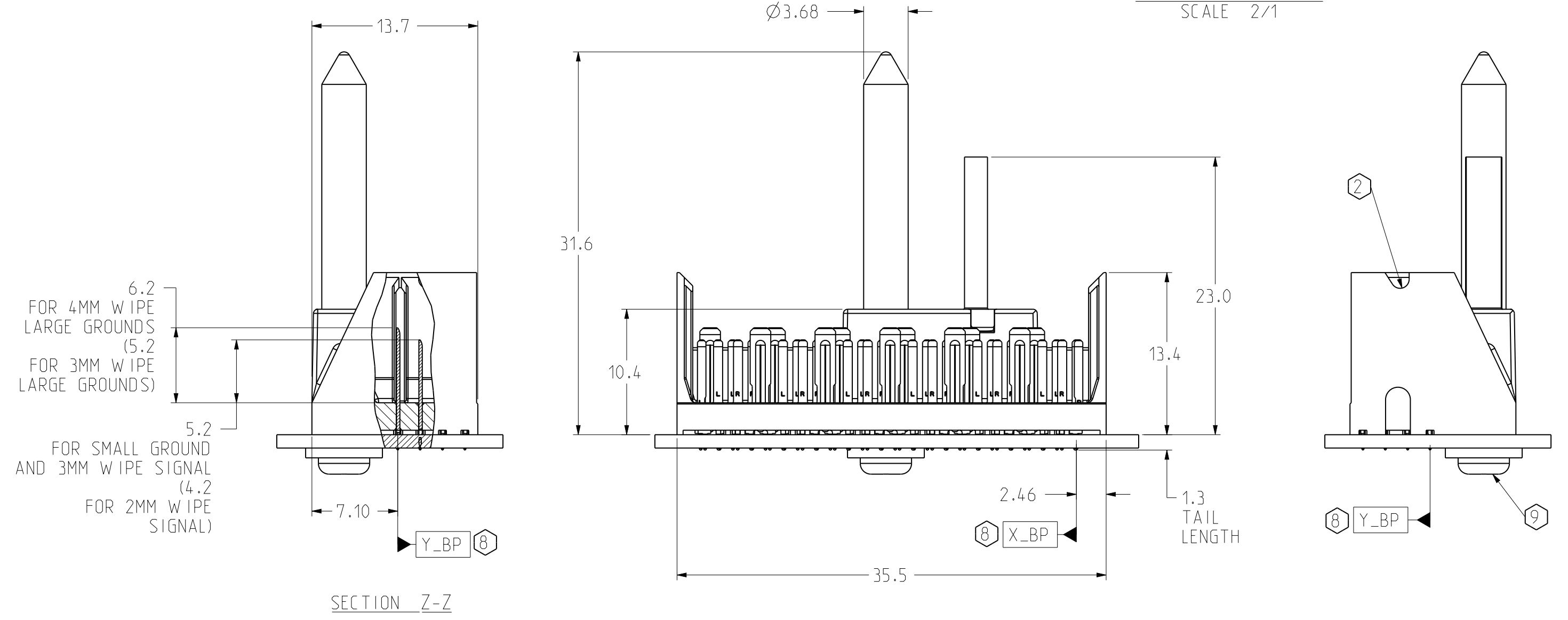
SH 2 REV A

ZONE	REV	SCR NUMBER	DESCRIPTION	BY	DATE	APPROVED
			SEE SHEET 1			



LEFT POLARIZING/GUIDE BACKPLANE MODULE DIMENSION

CONNECTOR REFERENCE SCALE 2/1



LEFT POLARIZING/GUIDE BACKPLANE FOOTPRINT

TOLERANCES	DESIGN	DATE
0.0 ±0.25	A.ASTBURY	05/14/2009
0.0 ±0.13	HCL-MH	02/17/2010
0.000 ± -	A.ASTBURY	02/17/2010
ANGLES ± 3°	D.SMITH	02/17/2010

Amphenol TCS
A Division of Amphenol Corporation
200 Innovative Way, Nashua, NH 03062 603.879.3000

TITLE BACKPLANE MODULES, VERTICAL MALE HEADER
XCede: 6 PAIR & POSITION

PART NO. SEE PN TREE SHEET 1
DRAWING NO. C951-600J-500

PRO/E Type: C951-6--BP-4WAF
PRO/E DRAWING: C951-600J-500

INTERPRET PER ASME Y14.5M
CODE IDENT 31413

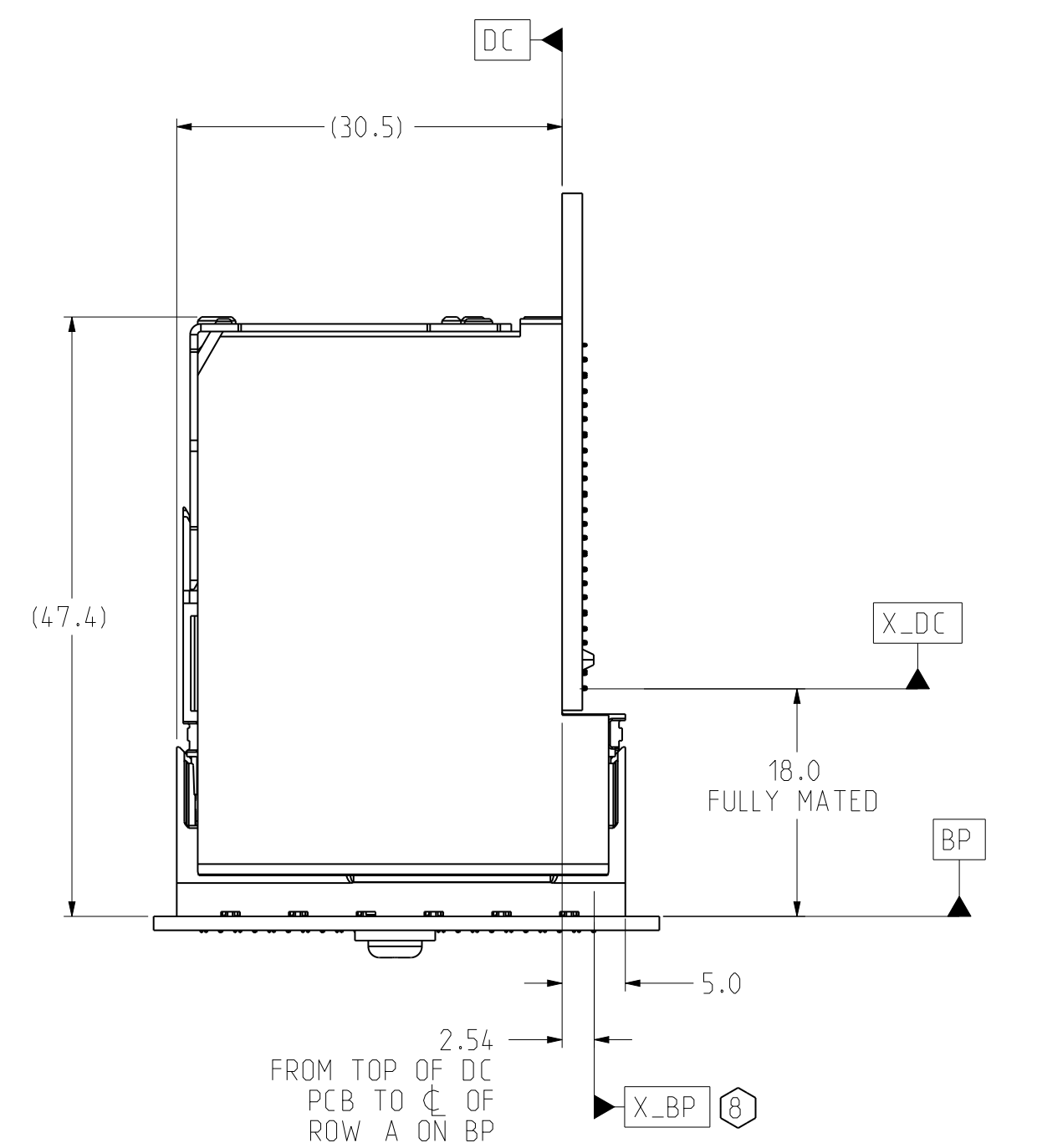
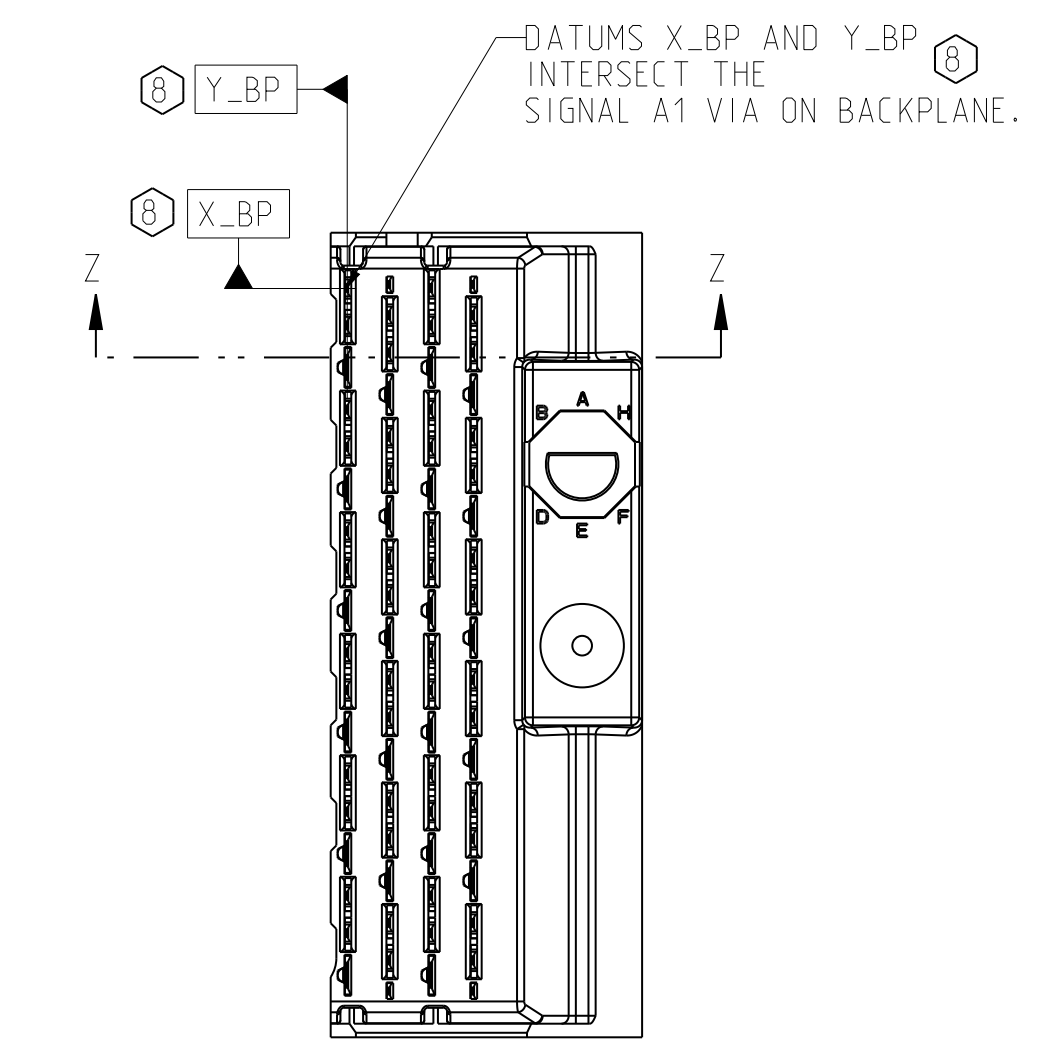
CUSTOMER USE DRAWING

SIZE D SCALE 3/1 SHEET 3 OF 8

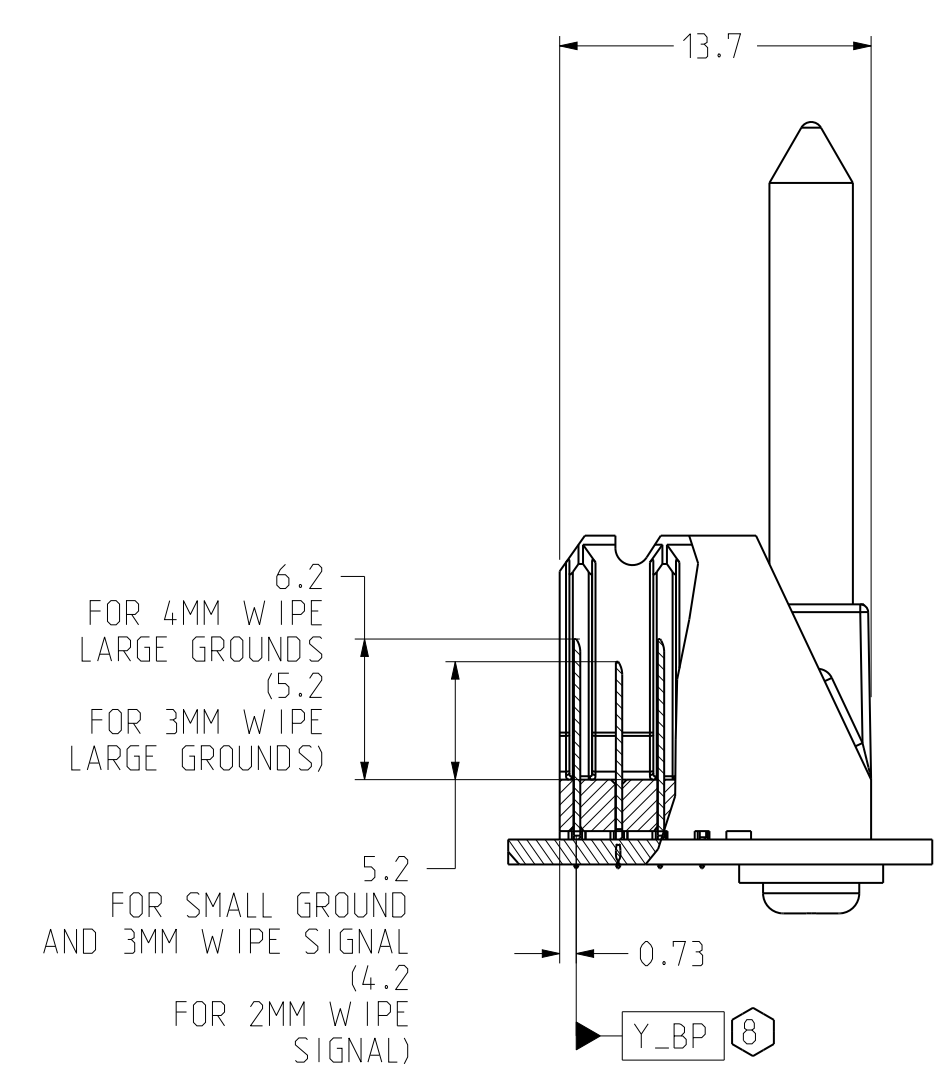
DRW NO. C951-600J-500

SH 3 REV A

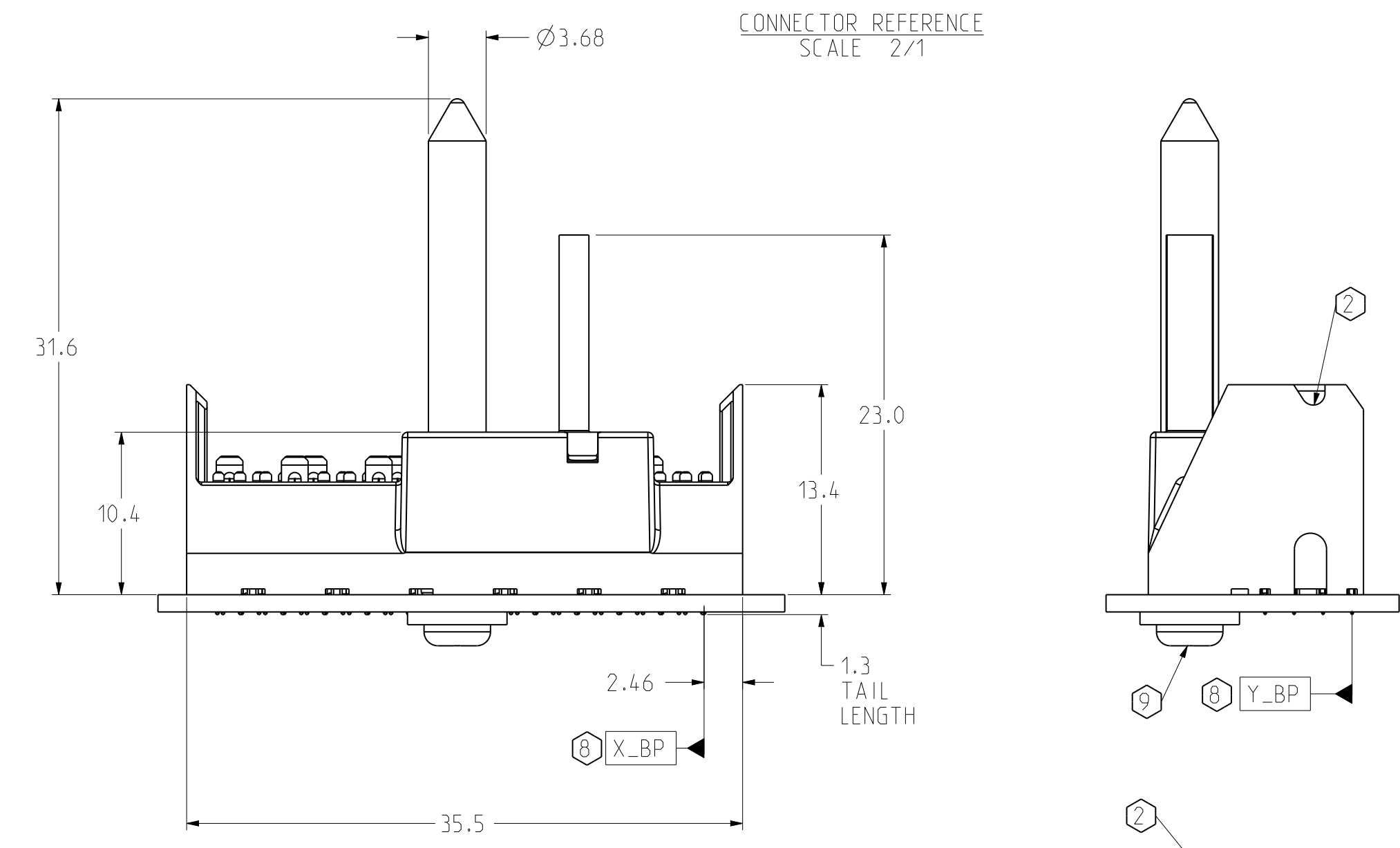
DRW NO.	C951-600J-500	SH	4	REV	A	
ZONE	REV	SCR NUMBER	DESCRIPTION	BY	DATE	APPROVED
			SEE SHEET 1			



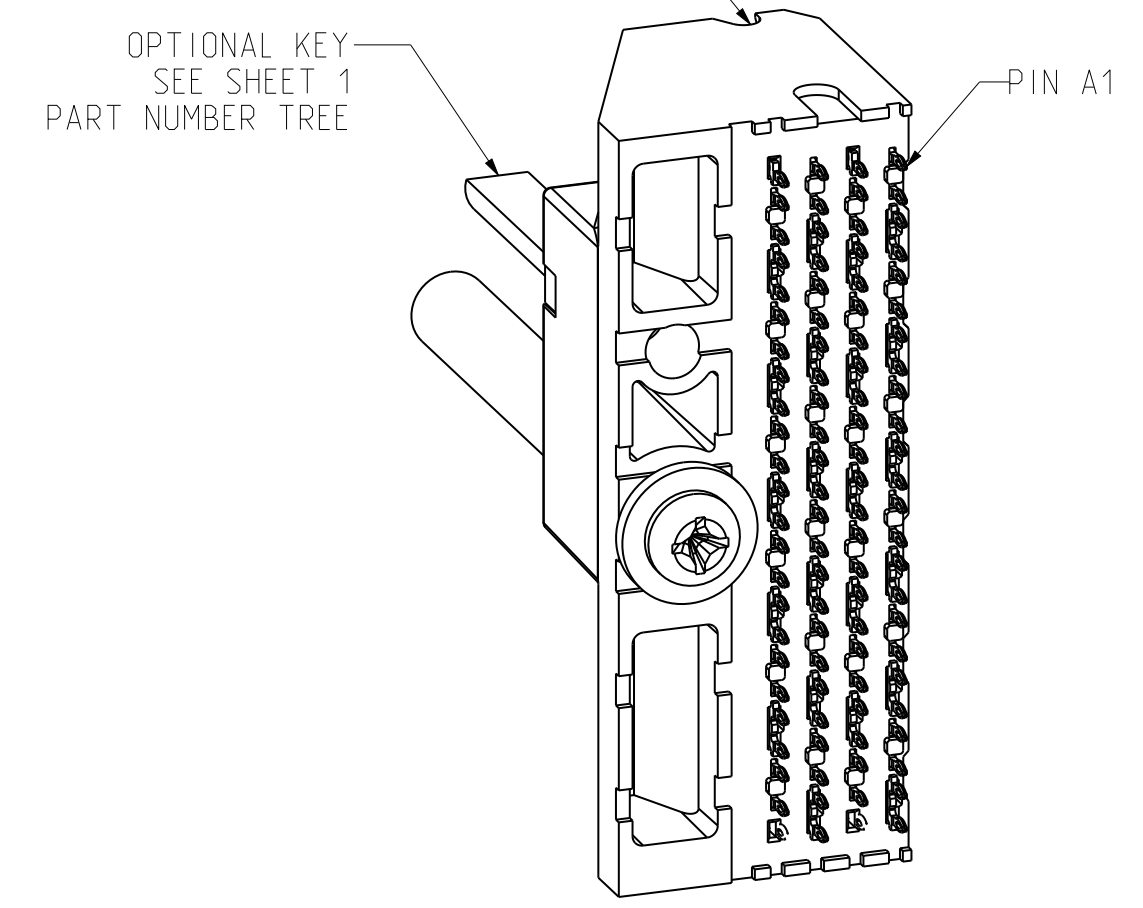
RIGHT POLARIZING/GUIDE BACKPLANE MODULE DIMENSION



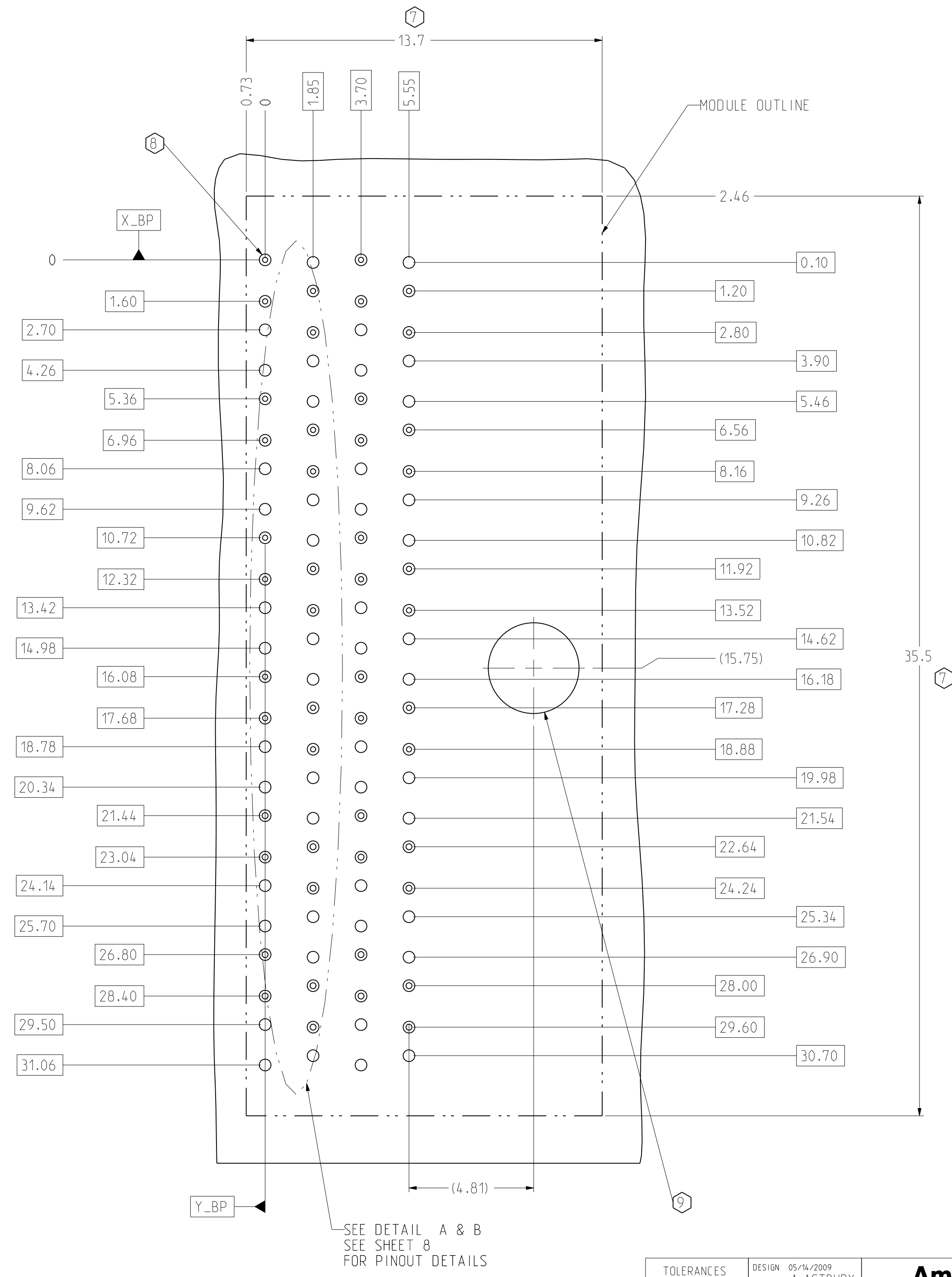
SECTION Z-Z



CONNECTOR REFERENCE SCALE 2/1



ISOMETRIC VIEW SCALE 3/1



RIGHT POLARIZING/GUIDE BACKPLANE FOOTPRINT

BP HOLE PATTERN COMPONENT SIDE SCALE 8/1

TOLERANCES	DESIGN	05/14/2009
0.0	±0.25	A.ASTBURY
0.00	±0.13	HCL-MH
0.000	±	A.ASTBURY
ANGLES	± 3°	D.SMITH

Amphenol TCS
A Division of Amphenol Corporation
200 Innovative Way, Nashua, NH 03062 603.879.3000

TITLE BACKPLANE MODULES, VERTICAL MALE HEADER
XCede, 6 PAIR & POSITION

PART NO. SEE PN TREE SHEET 1
REV N/A

DRAWING NO. C951-600J-500
REV A

Pro/E Type: C951-6--BP-4WAF
Pro/E DRAWING: C951-600J-500
1.0
A.0

SIZE D SCALE 3/1 SHEET 4 OF 8

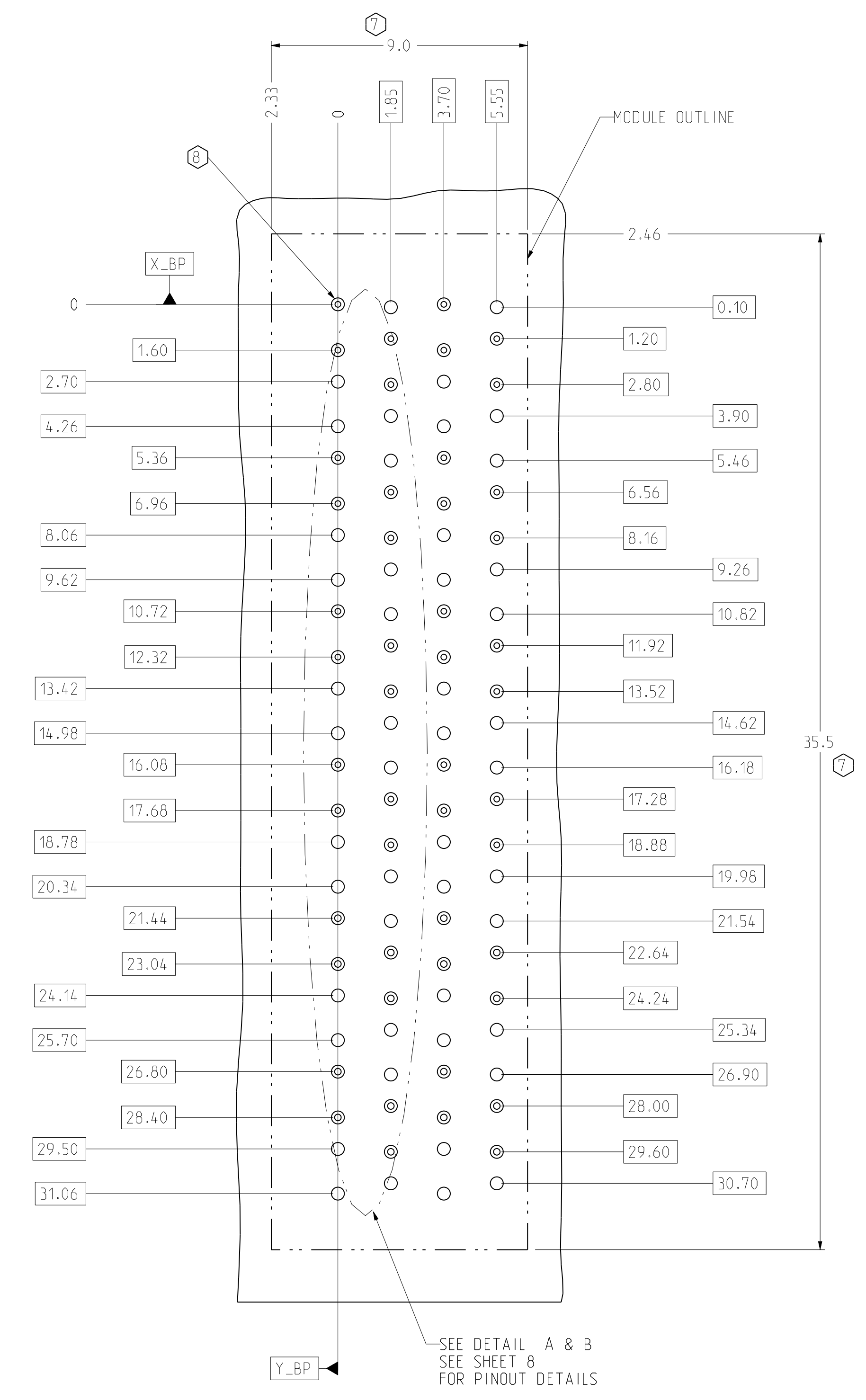
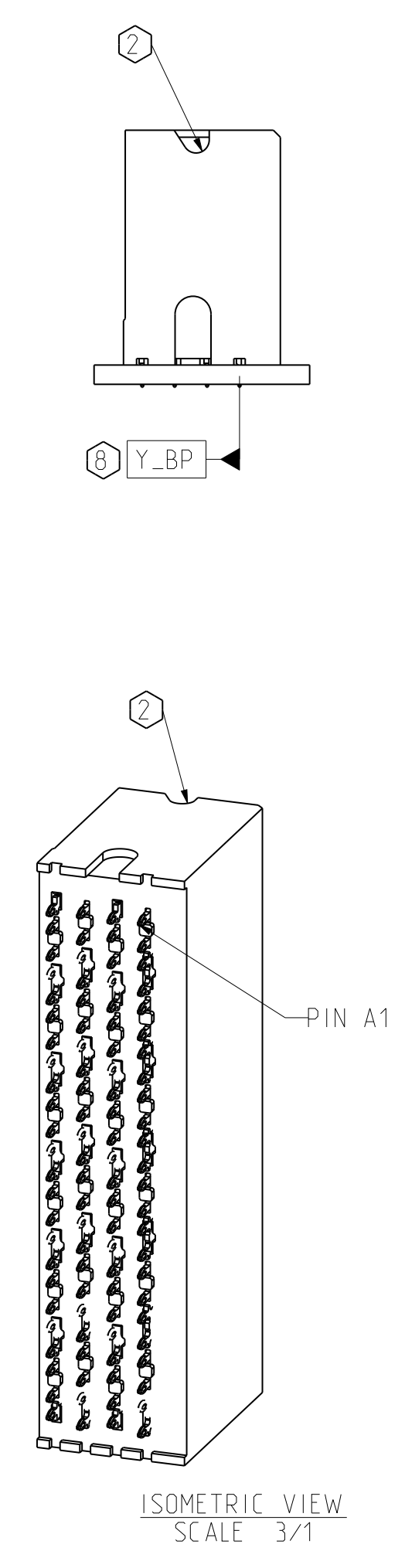
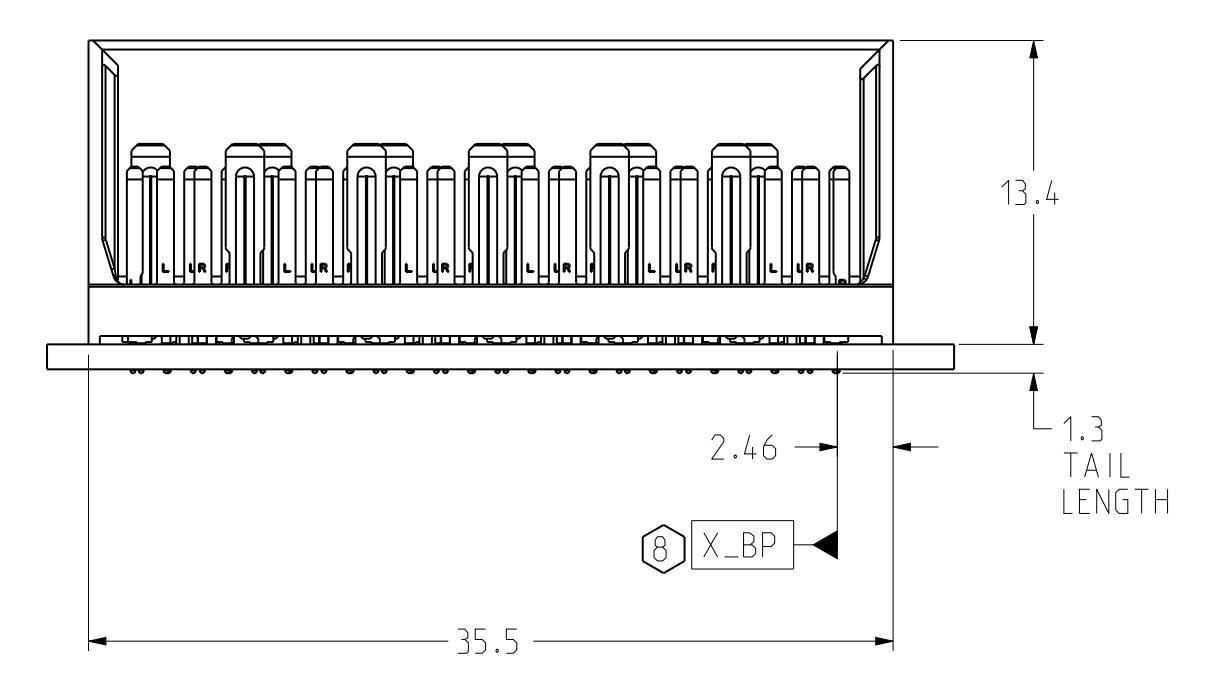
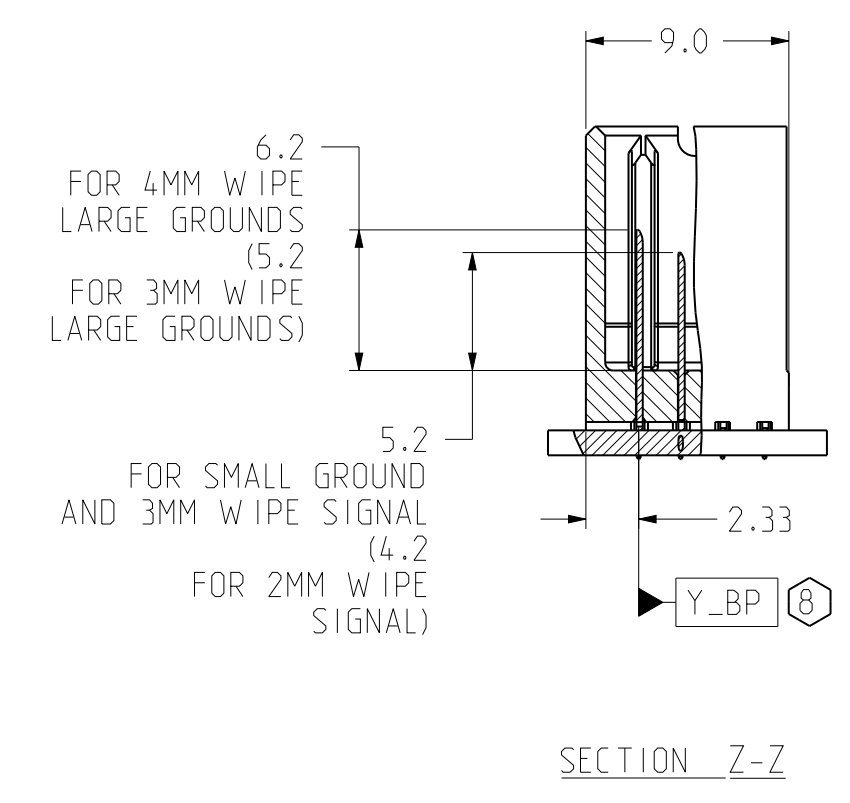
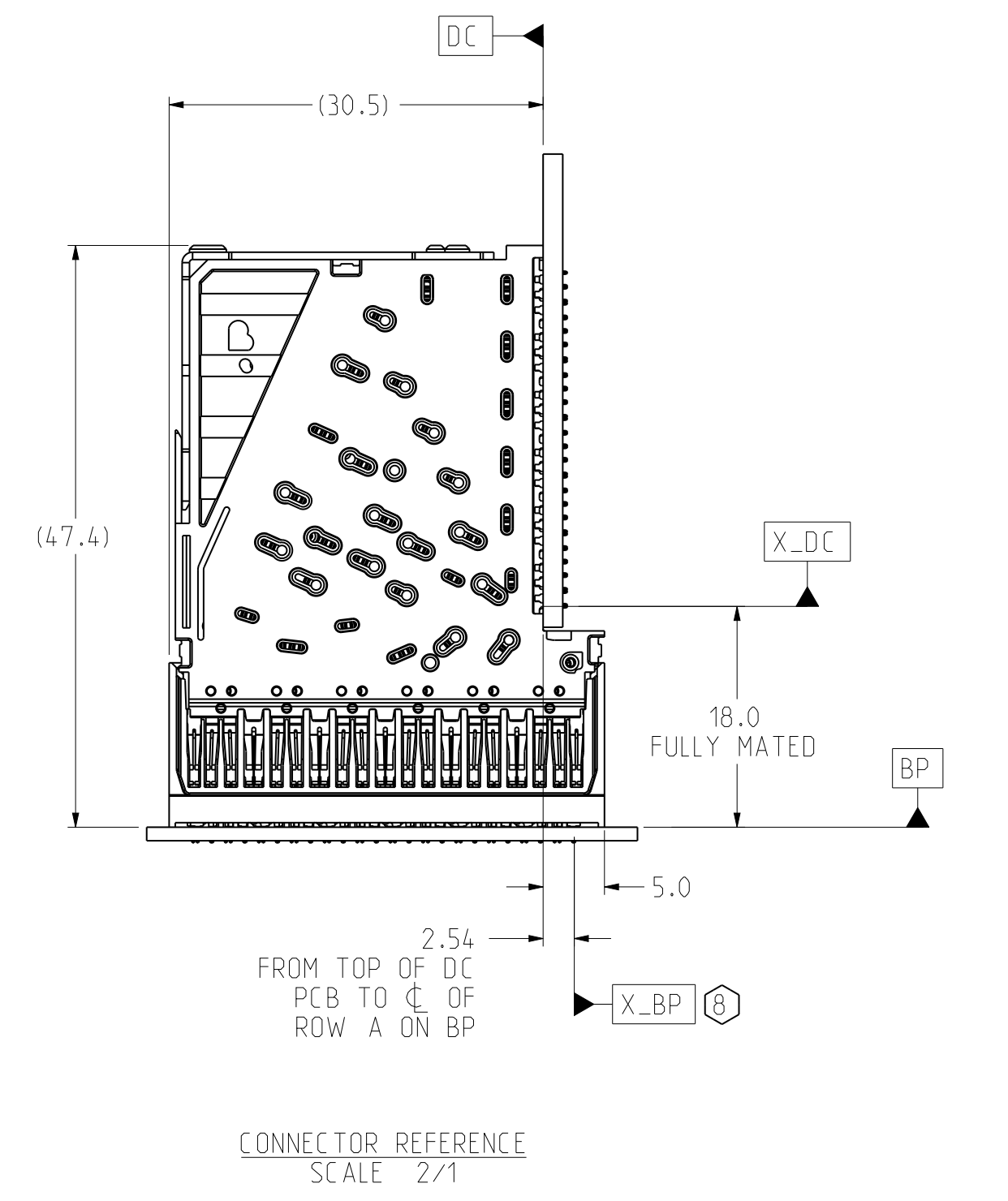
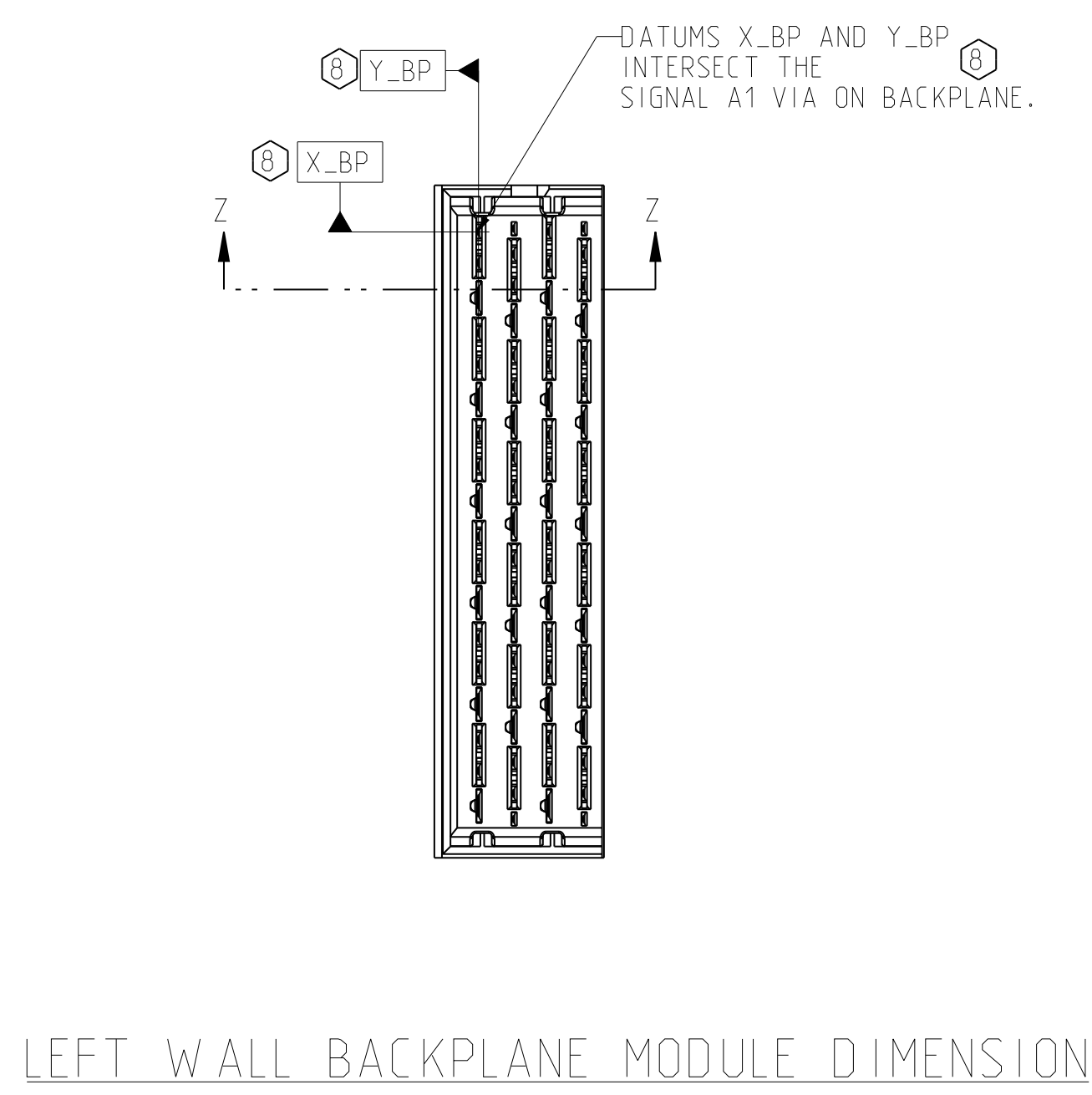
INTERPRET PER ASME Y14.5M
CODE IDENT 31413

CUSTOMER USE DRAWING

005-156

REV A

SHEET 4 OF 8



BP HOLE PATTERN
COMPONENT SIDE
SCALE 8/1

TOLERANCES	DESIGN 05/14/2009 A.ASTBURY
0.0 ±0.25	DRAWN 02/17/2010 HCL-MH
0.00 ±0.13	CHK 02/17/2010 A.ASTBURY
0.000 ± -	APVD 02/17/2010 D.SMITH
ANGLES ± 3°	

Amphenol TCS A Division of Amphenol Corporation 200 Innovative Way, Nashua, NH 03062 603.879.3000	
TITLE BACKPLANE MODULES, VERTICAL MALE HEADER XCede, 6 PAIR & POSITION	PART NO. SEE PN TREE SHEET 1
DRAWING NO. C951-600J-500	REV N/A

UNLESS OTHERWISE SPECIFIED DIMENSIONS ARE IN MM. DECIMAL MARKER IS A PERIOD.

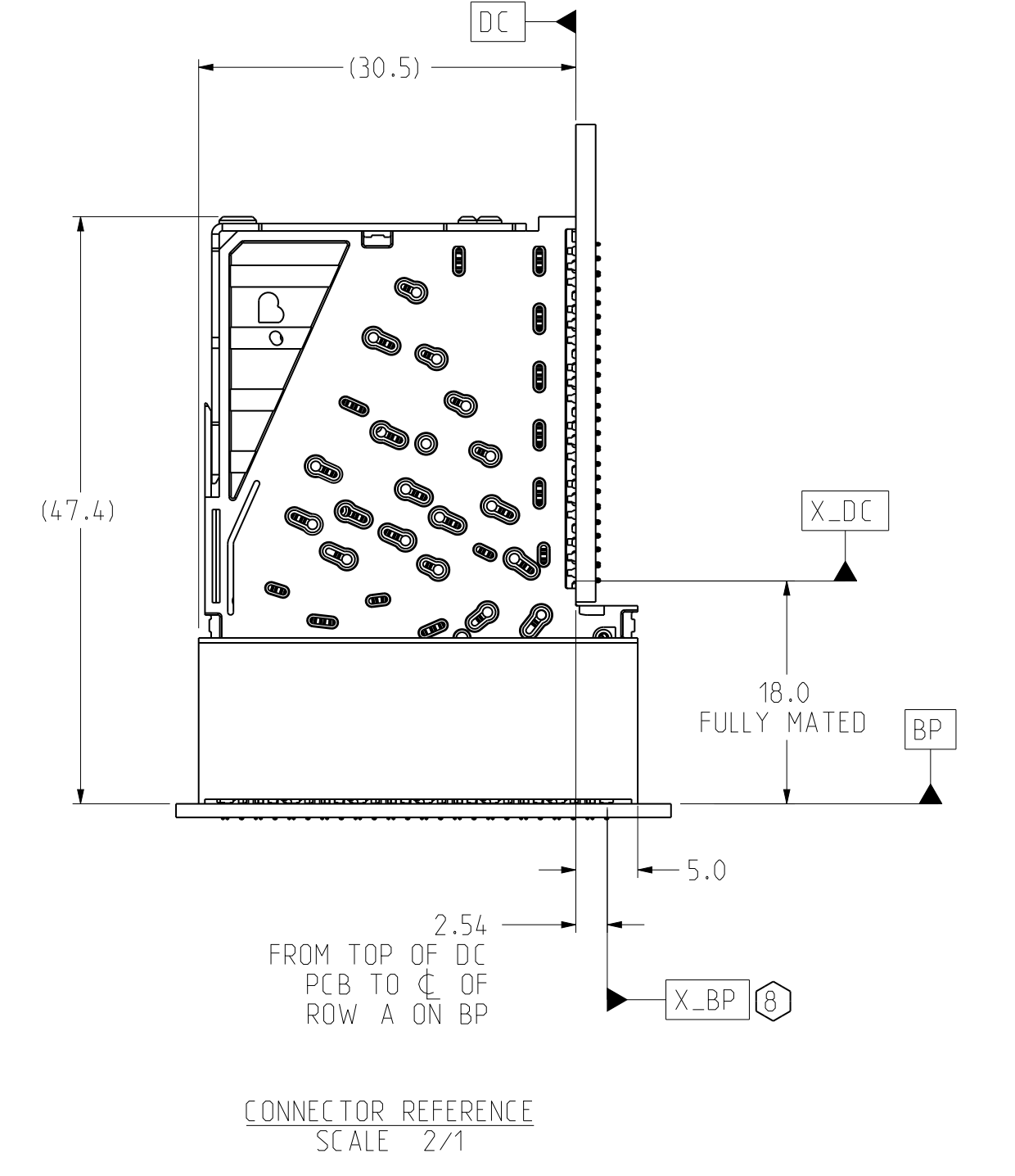
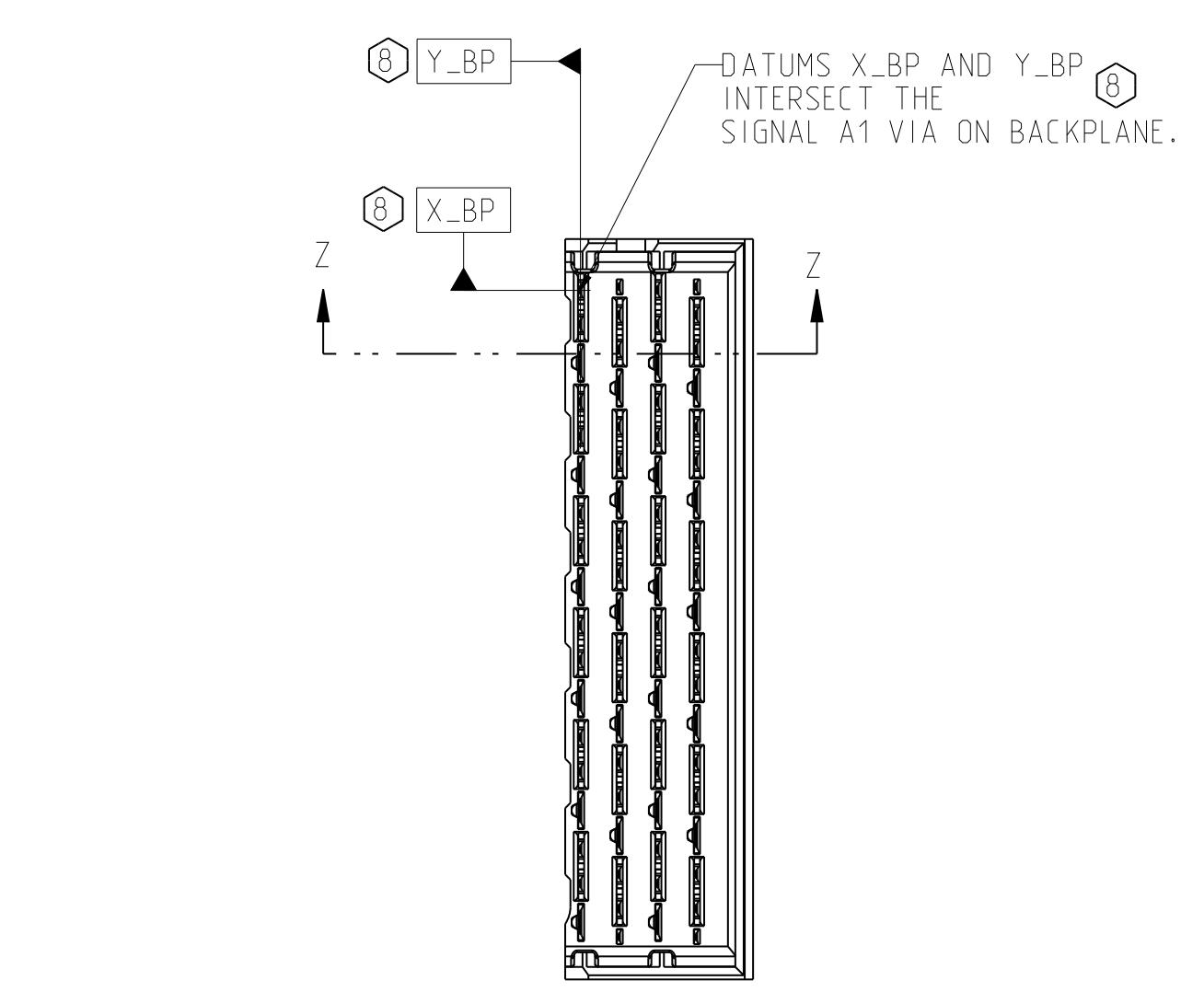
INTERPRET PER ASME Y14.5M
CODE IDENT 31413

CUSTOMER USE
DRAWING

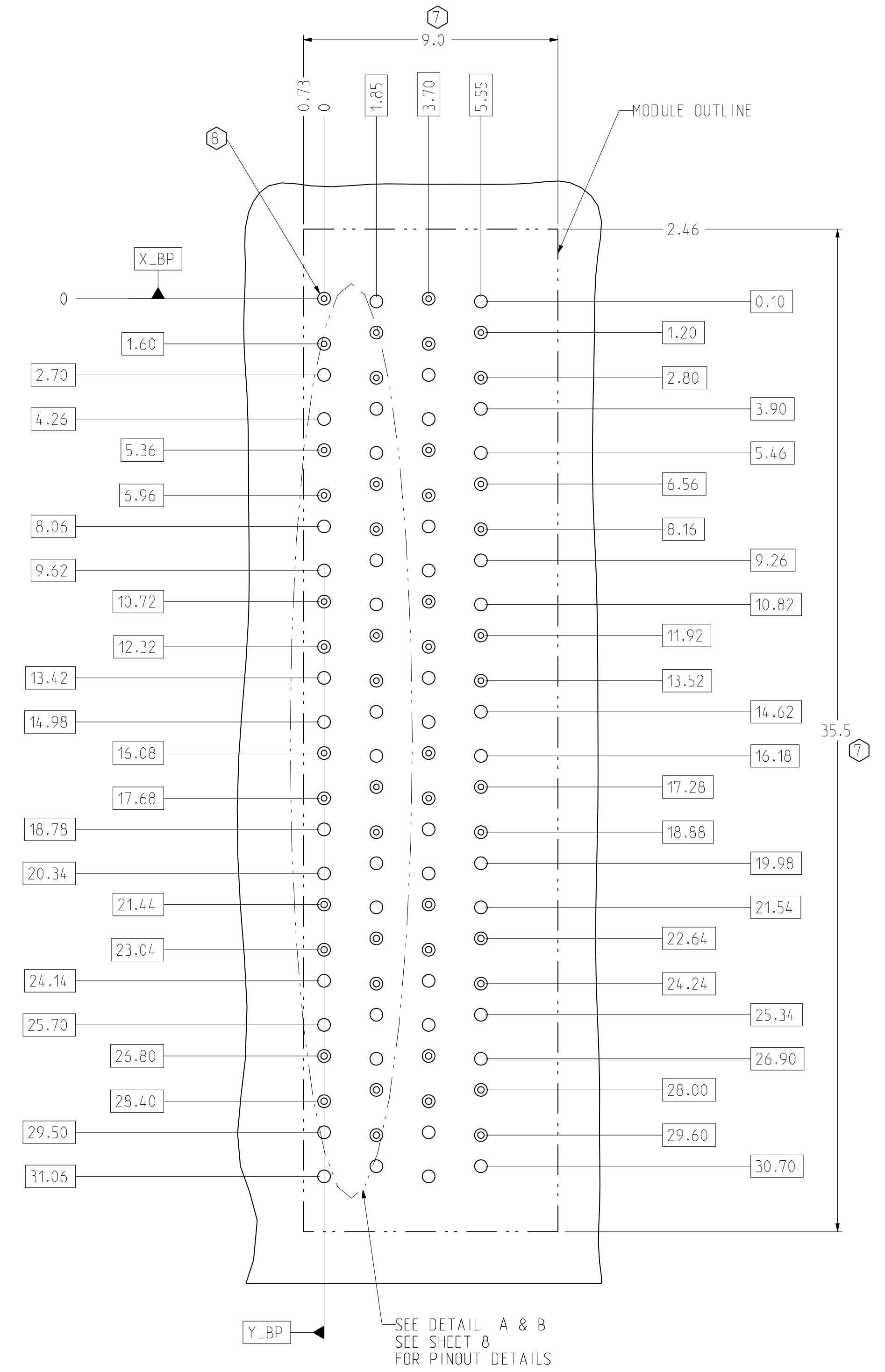
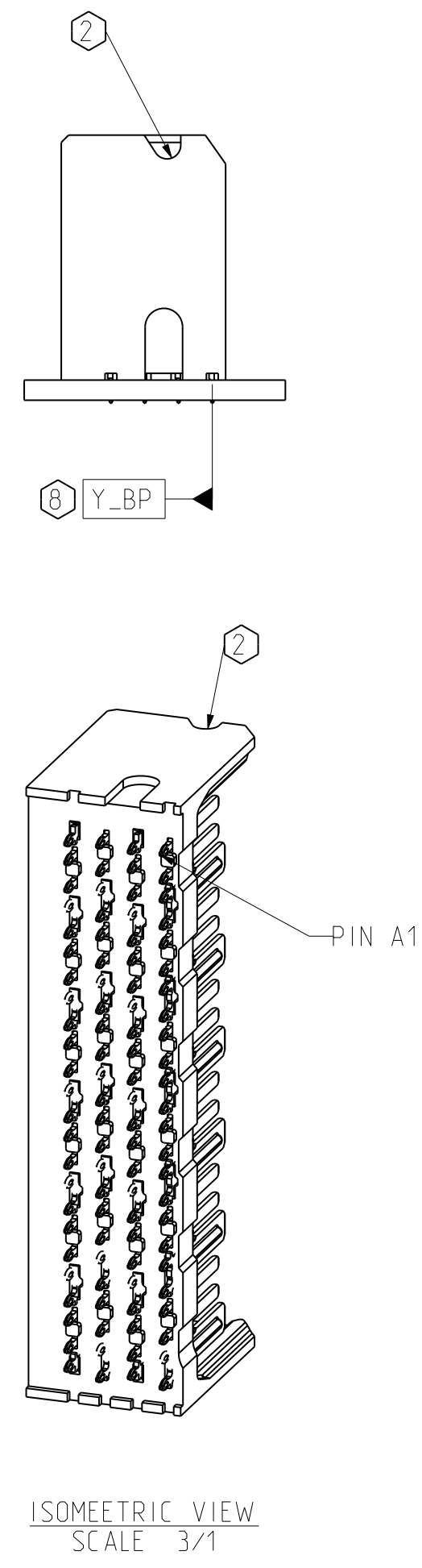
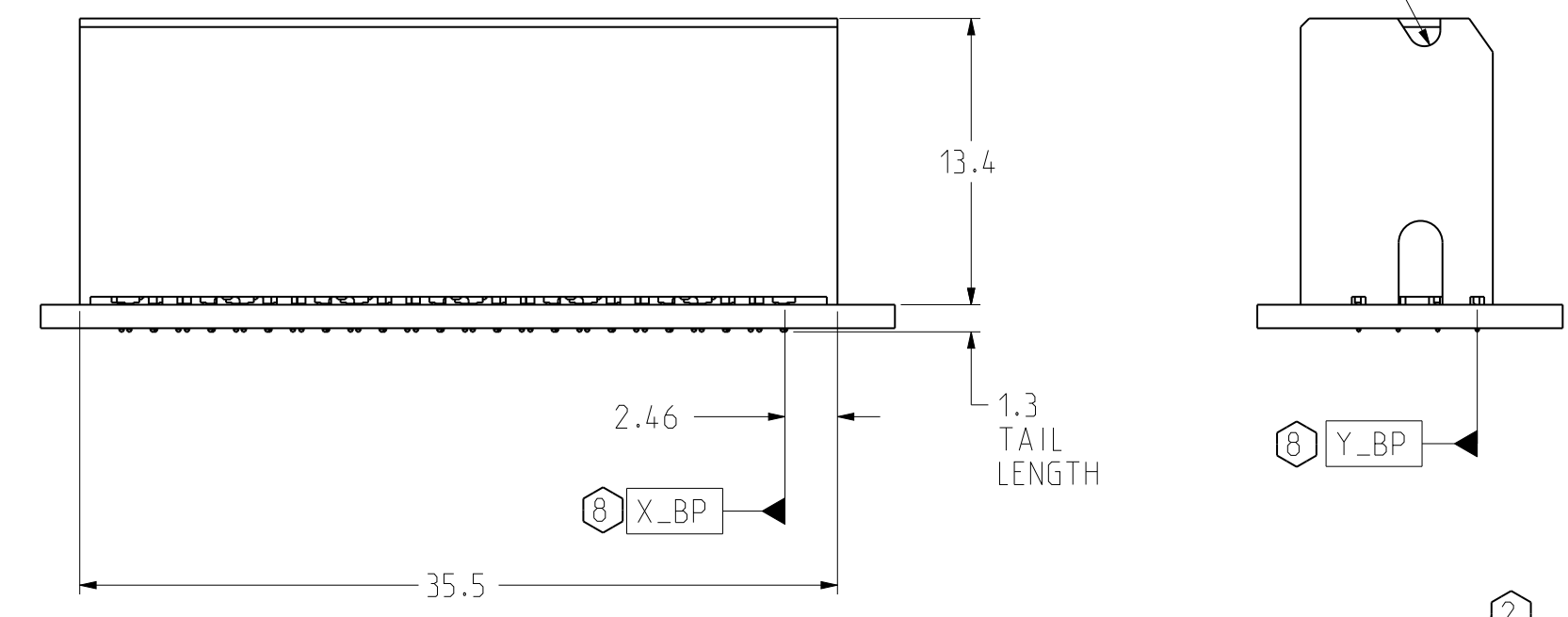
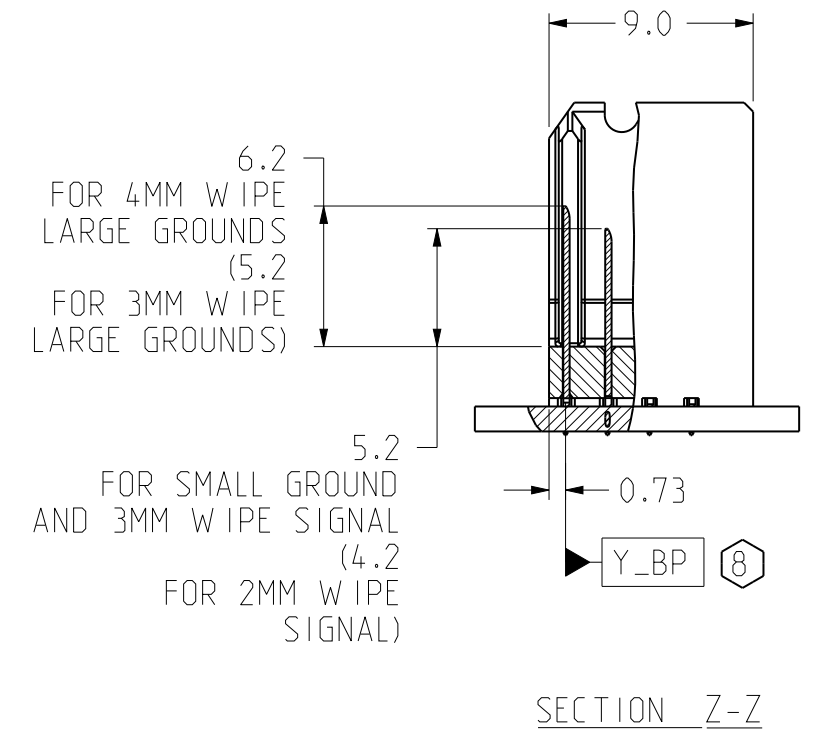
PROJ. TYPE: C951-6--BP-4WAF	1.0
PROJ. DRAWING: C951-600J-500	A.0
SIZE D	SCALE 3/1
SHEET 5 OF 8	

005-1000J-500

SH 5
REV A



RIGHT WALL BACKPLANE MODULE DIMENSION

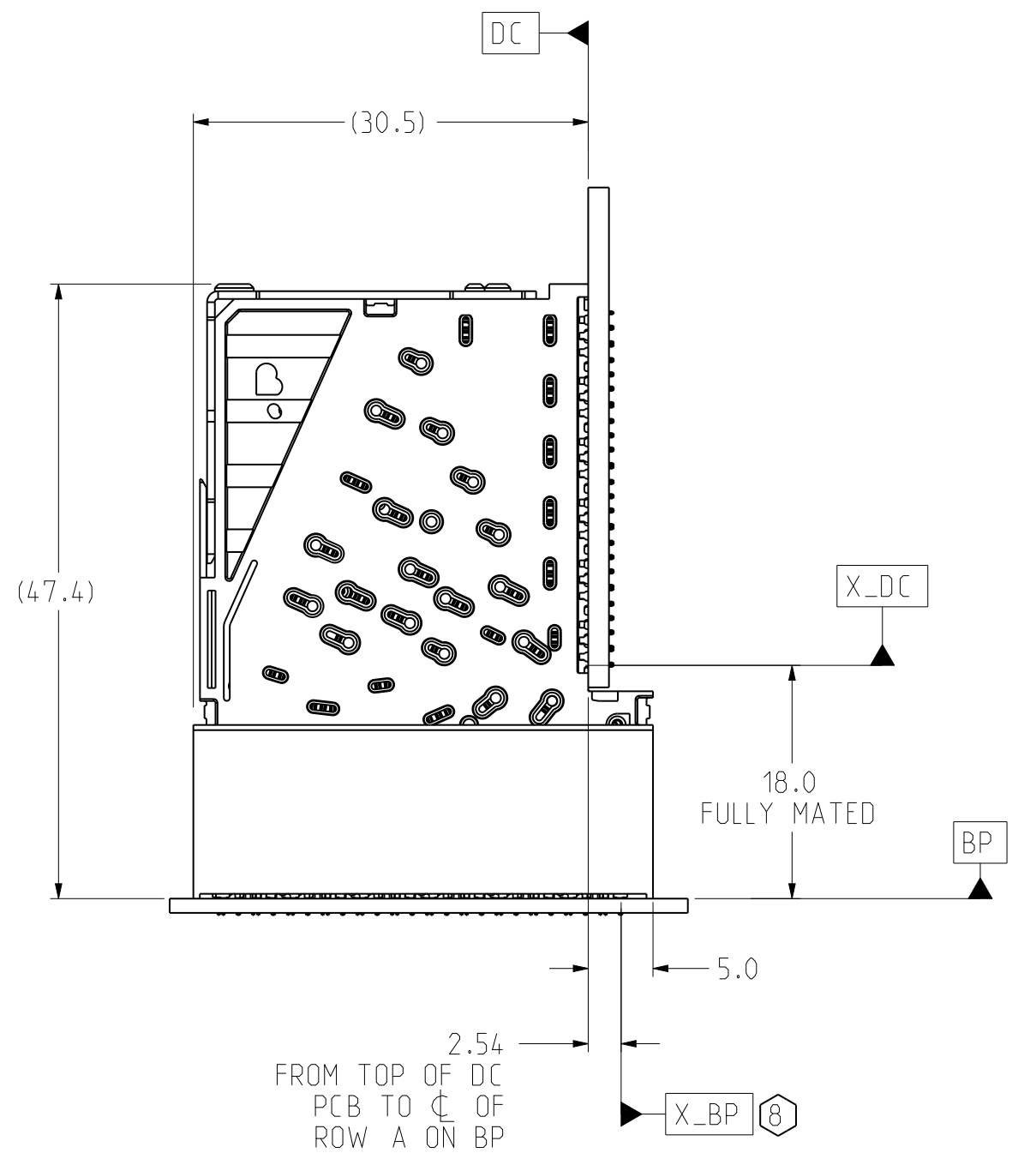
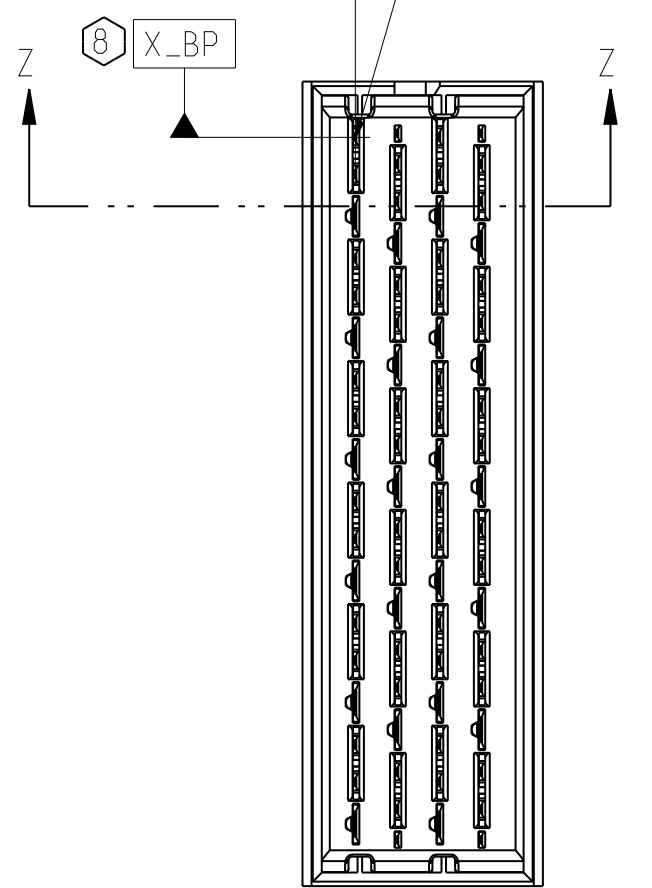


RIGHT WALL BACKPLANE FOOTPRINT

TOLERANCES	DESIGN 05/14/2009 A.ASTBURY	Amphenol TCS A Division of Amphenol Corporation 200 Innovative Way, Nashua, NH 03062 603.879.3000	
0.0 ±0.25	DRAWN 02/17/2010 HCL-MH	TITLE BACKPLANE MODULES, VERTICAL MALE HEADER XCede, 6 PAIR & POSITION	REV N/A
0.00 ±0.13	CHK 02/17/2010 A.ASTBURY	PART NO. SEE PN TREE SHEET 1	REV A
0.000 ± -	APVD 02/17/2010 D.SMITH	DRAWING NO. C951-600J-500	1.0 A.O.
ANGLES ± 3°	UNLESS OTHERWISE SPECIFIED DIMENSIONS ARE IN MM. DECIMAL MARKER IS A PERIOD.	Pro/E Type: C951-6--BP-4WAF Pro/E DRAWING: C951-600J-500	1.0 A.O.
INTERPRET PER ASME Y14.5M CODE IDENT 31413		CUSTOMER USE DRAWING	SIZE D SCALE 3/1 SHEET 6 OF 8

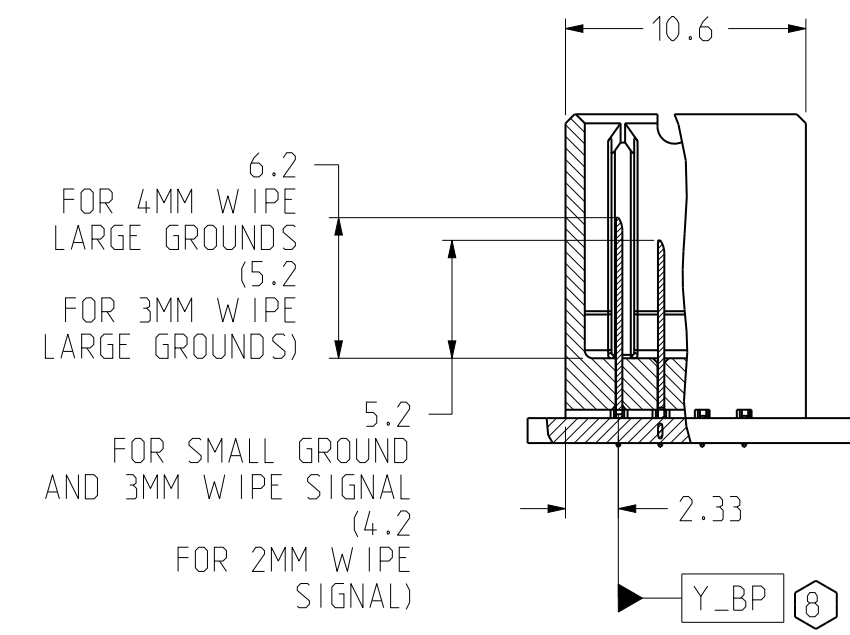
C951-600J-500 SH 6 REV A

DATUMS X_BP AND Y_BP INTERSECT THE SIGNAL A1 VIA ON BACKPLANE.

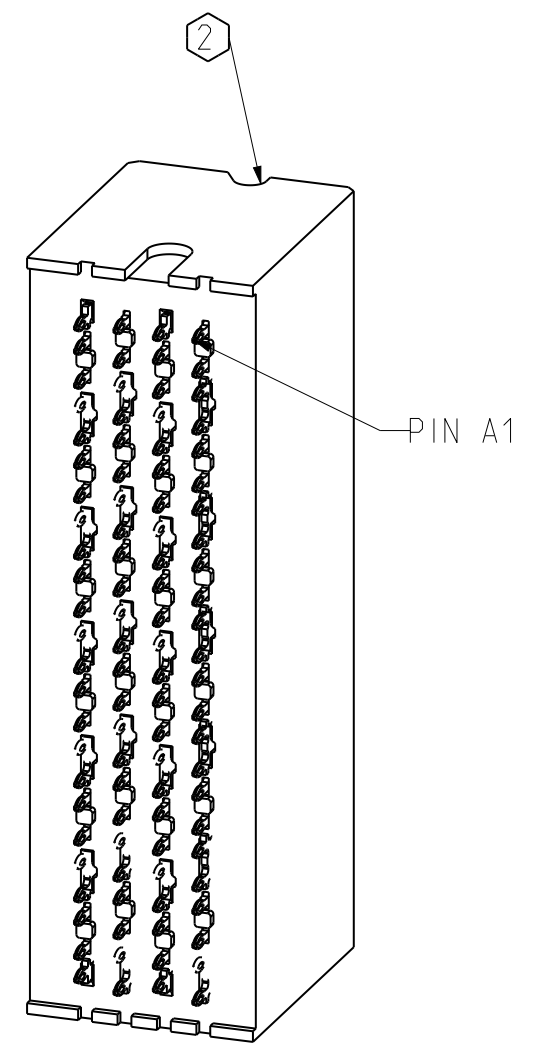
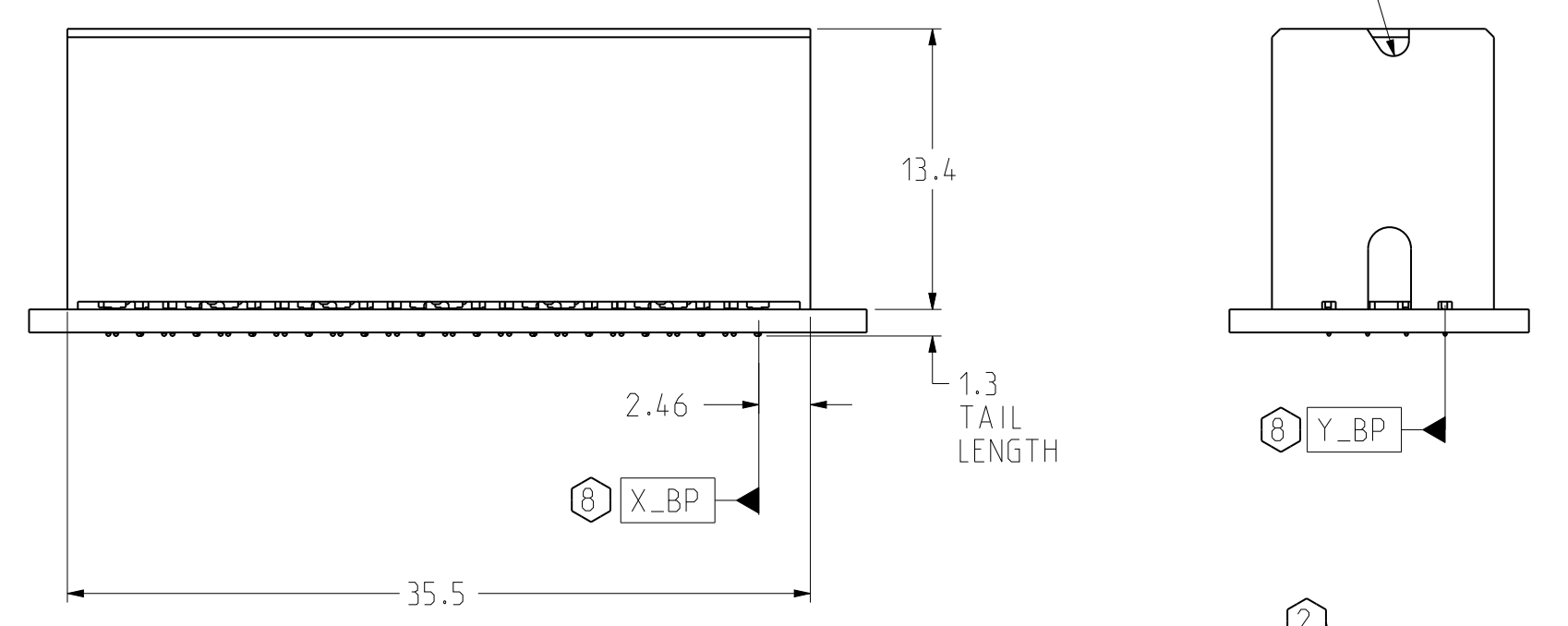


2.54 FROM TOP OF DC PCB TO CL OF ROW A ON BP
CONNECTOR REFERENCE SCALE 2/1

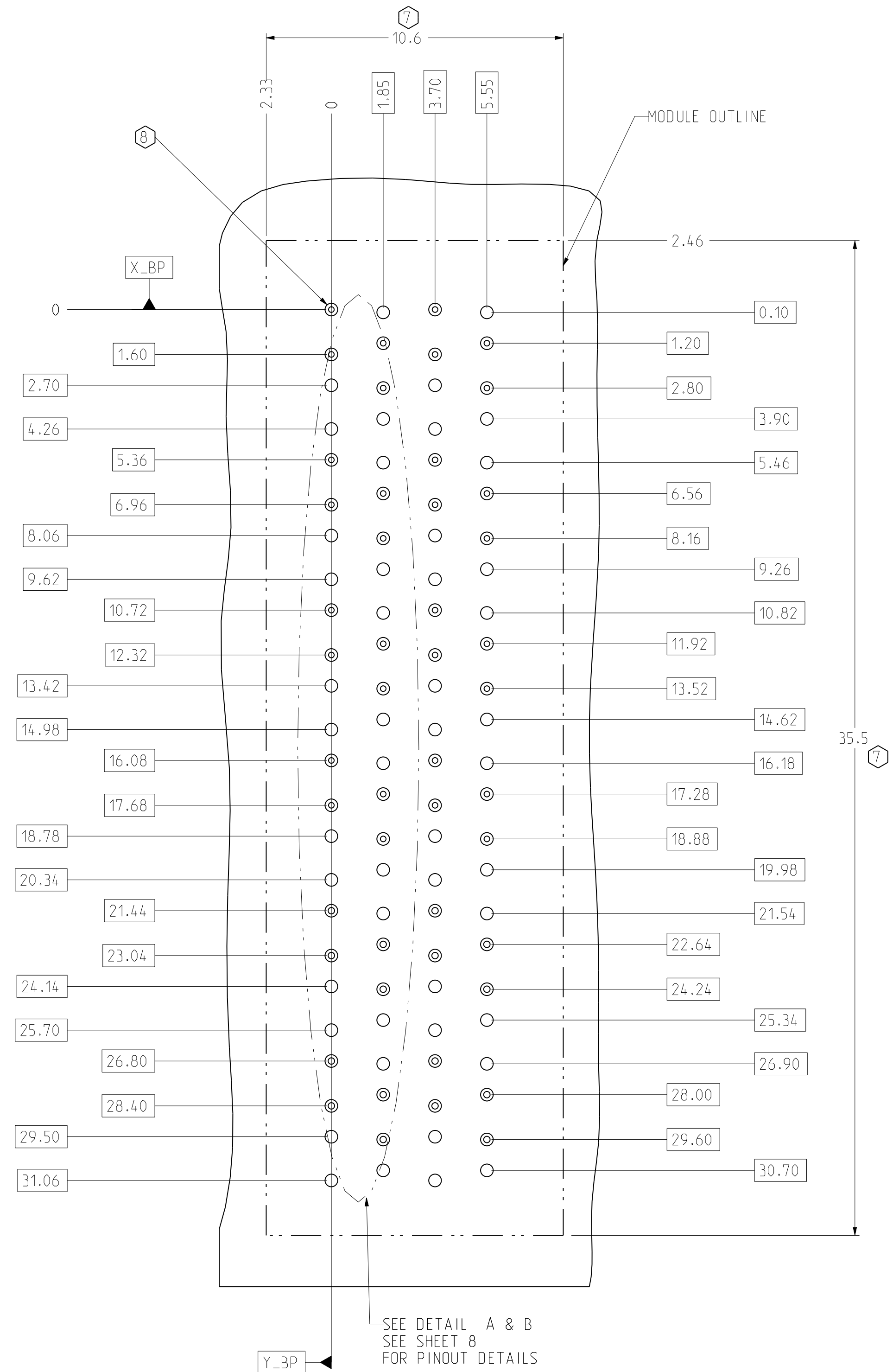
TWO WALL BACKPLANE MODULE DIMENSION



SECTION Z-Z



ISOMETRIC VIEW SCALE 3/1



SEE DETAIL A & B SEE SHEET 8 FOR PINOUT DETAILS

BP HOLE PATTERN COMPONENT SIDE SCALE 8/1

TWO WALL BACKPLANE FOOTPRINT

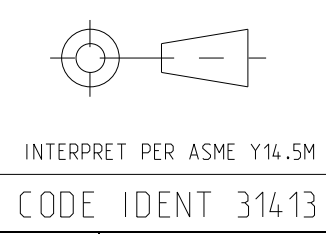
TOLERANCES	DESIGN	DATE
0.0 ±0.25	A.ASTBURY	05/14/2009
0.00 ±0.13	HCL-MH	02/17/2010
0.000 ± -	A.ASTBURY	02/17/2010
ANGLES ± 3°	D.SMITH	02/17/2010

Amphenol TCS
A Division of Amphenol Corporation
200 Innovative Way, Nashua, NH 03062 603.879.3000

TITLE BACKPLANE MODULES, VERTICAL MALE HEADER
XCede, 6 PAIR & POSITION

PART NO. SEE PN TREE SHEET 1
DRAWING NO. C951-600J-500

UNLESS OTHERWISE SPECIFIED DIMENSIONS ARE IN MM. DECIMAL MARKER IS A PERIOD



INTERPRET PER ASME Y14.5M
CODE IDENT 31413

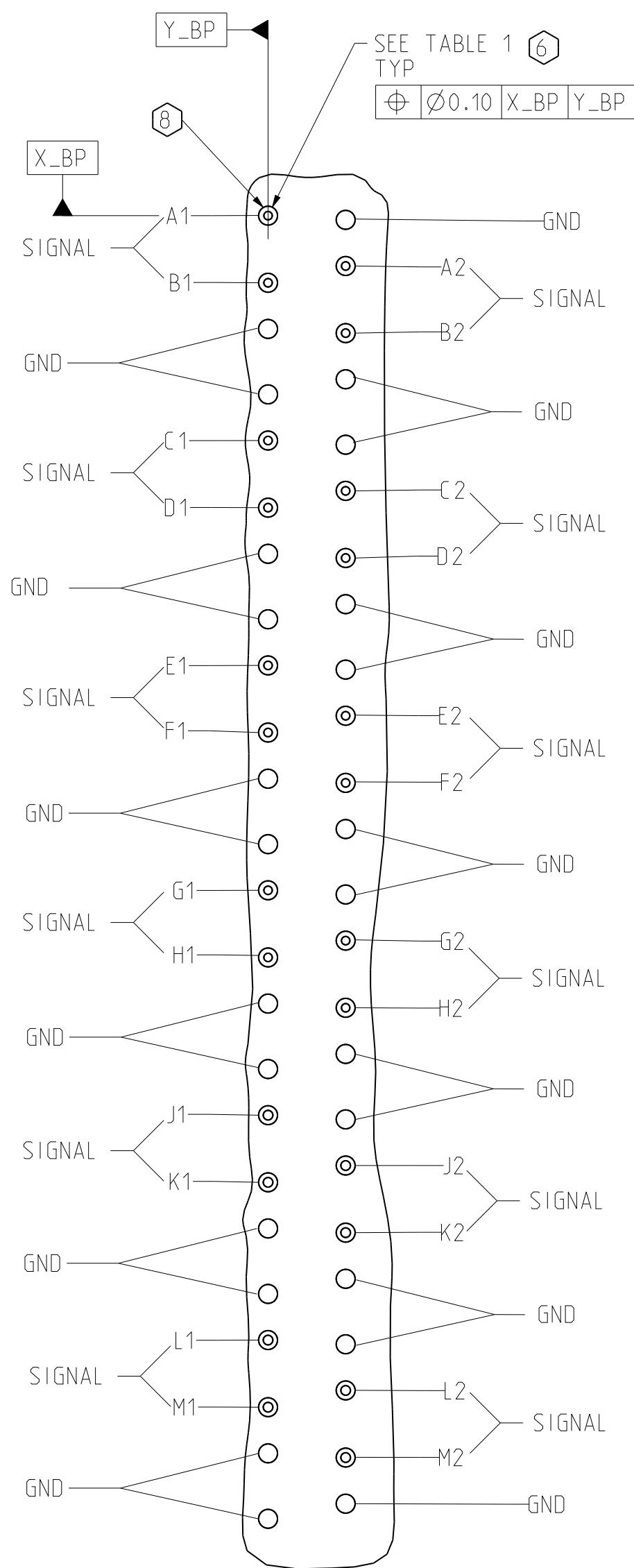
CUSTOMER USE DRAWING

PRO/E Type: C951-6--BP-4WAF	1.0	
PRO/E DRAWING: C951-600J-500	A.0	
SIZE D	SCALE 3/1	SHEET 7 OF 8

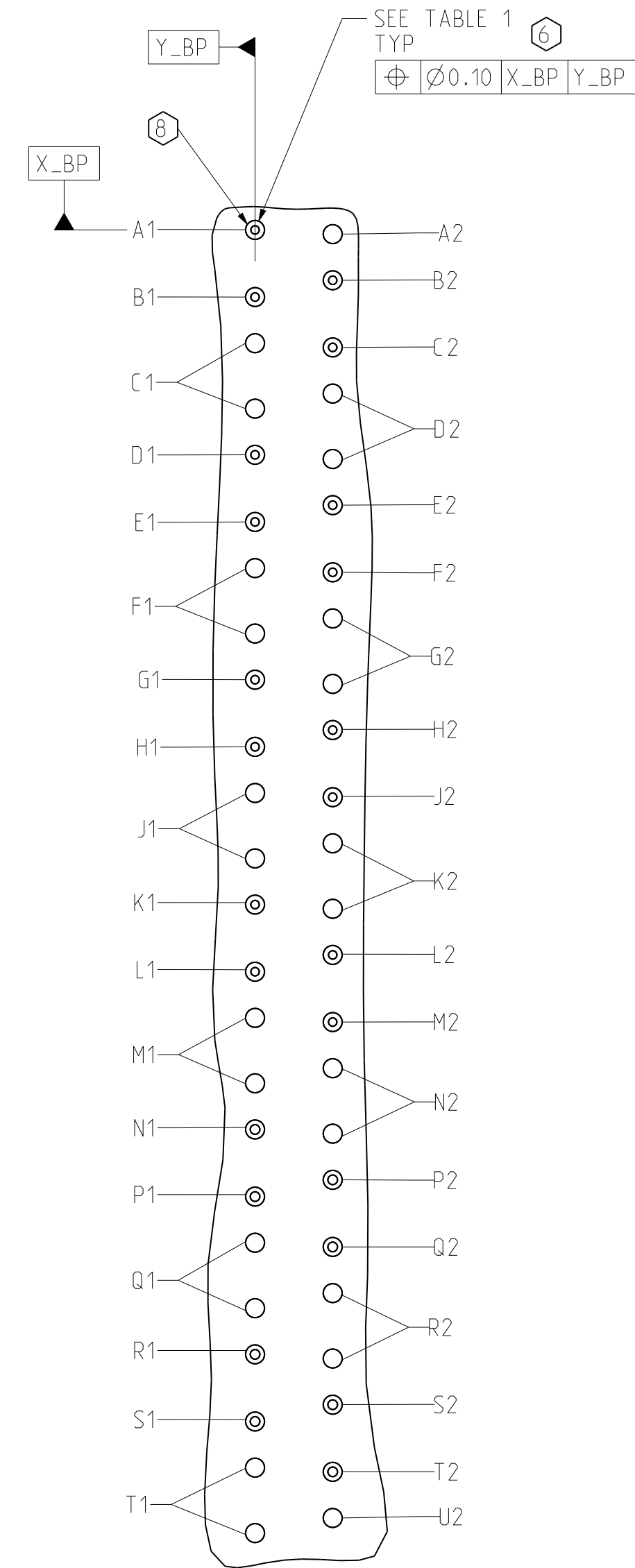
DRAWING NO. C951-600J-500

SH 7 REV A

ZONE	REV	SCR NUMBER	DESCRIPTION	BY	DATE	APPROVED
			SEE SHEET 1			



DETAIL A
HSD PINOUTS
SCALE 8/1



DETAIL B
LC PINOUTS
SCALE 8/1

TABLE 1 (6)

	COMPLIANT PIN DRILL $\varnothing 0.0217''$	COMPLIANT PIN DRILL $\varnothing 0.0177''$
PTH	$\varnothing 0.45 \pm 0.05$	$\varnothing 0.36 \pm 0.05$
DRILL	$\varnothing 0.55 [0.0217'']$	$\varnothing 0.45 [0.0177'']$
PAD	$\varnothing 0.85$	$\varnothing 0.75$

TOLERANCES		DESIGN 05/14/2009 A.ASTBURY	Amphenol TCS A Division of Amphenol Corporation 200 Innovative Way, Nashua, NH 03062 603.879.3000	TITLE BACKPLANE MODULES, VERTICAL MALE HEADER XCede, 6 PAIR & POSITION		
0.0	± 0.25	DRAWN 02/17/2010 HCL-MH		PART NO.	SEE PN TREE SHEET 1	REV N/A
0.00	± 0.13	CHK 02/17/2010 A.ASTBURY		DRAWING NO.	C951-600J-500	REV A
0.000	$\pm -$	APVD 02/17/2010 D.SMITH		UNLESS OTHERWISE SPECIFIED DIMENSIONS ARE IN MM. DECIMAL MARKER IS A PERIOD.		1.0 A.O
ANGLES $\pm 3^\circ$		INTERPRET PER ASME Y14.5M CODE IDENT 31413		CUSTOMER USE DRAWING		
		SCALE 2/1		SHEET 8 OF 8		

005-1001-500

SH 8
REV A